

Global Standard	LESER Global Standard Spare Parts Guideline	LGS 2813
		Page 1/7

Content

**1 Purpose ..... 1**

**2 Scope..... 1**

**3 References ..... 1**

**4 Spare Parts Guideline ..... 1**

    4.1 MRO Business Spare Parts.....2

    4.2 Project Business Spare Parts .....5

    4.3 Spare Parts for local configuration.....6

**5 Identifying correct part numbers ..... 6**

**6 Spare Parts Pricing ..... 7**

**1 Purpose**

This LESER Global Standard (LGS) defines the spare parts guideline for LESER valves. It handles daily maintenance, repair and overhaul (MRO) business, as well as spare parts offers in projects. The guideline is a global orientation and can be adapted to local needs and customer requirements, but only if Aftermarket is informed. All other spare parts guidelines are invalid with the publication of this document.

**2 Scope**

This LGS applies to all members of the LESER quality cluster as defined in the global quality management manual.

**3 References**

[LDeS 1490.01 EN Pricing Special Components Use Prices Mailbox](#)

LID\_DE 1100.21 - Spare Parts Guideline Localized Products

**4 Spare Parts Guideline**

In general, spare parts can be classified in maintenance spares and uncommon spares. The maintenance spares are offered, whenever a customer requests a standard spare parts offer for valves that have been in service and without an indication what parts are needed. These parts can be shipped within three business days or 24h as a stretch goal. Uncommon spares, on the other hand, are normally not needed during the lifetime of a LESER safety valve. However, they can be provided on request with delivery times that correspond to the valves delivery times.

internal

Disclosure cat.:	III	proofread by:	Wo	publish date:	07/06/20	effect.dat	07/20
author:	FP	released by:	Row	replaces:	initial	status:	Publishe
resp. depart.:	Sale	date of release:	07/06/20	revision No.:	4		
doc. type:	LGS	change rep.	NA	retention	10y.		

Global Standard	LESER Global Standard Spare Parts Guideline	LGS 2813
		Page 2/7

The situation in project business is a little bit different than the situation in standard MRO business. Here commissioning spares, which are spare parts that are needed for start-up, are often part of the project tender and purchased by the EPC. Furthermore, a recommendation for an operational spares stock is often requested as part of the project documentation and purchased in an additional order, which LESER will actively follow up on as part of our Aftermarket initiative.


		EPC	End User	OEM	Other	Sub./LARC
MRO Business	Maintenance Spares	No	Yes	Yes	Yes	Stock
	Uncommon Spares	No	Sometimes	Sometimes	Sometimes	No
Project Business	Commissioning Spares	Yes	Sometimes	Sometimes	No	No
	Operational Spares Stock	Sometimes	Yes	No	No	No

internal

### 4.1 MRO Business Spare Parts

The below tables indicate the maintenance spare parts for each product group. The black box contains the spare parts that should be replaced when high wear on these parts occurs. The red, dotted highlighted box contains the parts that are included in a spare parts kit, which should be replaced every time a valve is repaired. These parts are also offered as single components, if no spare parts kit is available.

**API**





Pos.	5	Nozzle	
	7	Disc	
	15	Bellows	
Pos.	7.5	Securing ring	SPK
	14	Split ring	
	57	Ball	
	59	Securing ring	
	60	Gasket	
	61	Ball	
	66	Screw	
	73.2	Gasket	


To be offered if customer wants to do a complete overhaul.


Content of the spare parts kit (SPK), or to be offered as single components if no SPK is available.


Disclosure cat.:	III	proofread by:	Wo	publish date:	07/06/20	effect.dat	07/20
author:	FP	released by:	Row	replaces:	initial	status:	Publishe
resp. depart.:	Sale	date of release:	07/06/20	revision No.:	4		
doc. type:	LGS	change rep.	NA	retention	10y.		


<b>API</b>		Pos.	5 Nozzle				
			7 Disc				
			15 Bellows				
	Pos.		7.5 Securing ring				
			14 Split ring				
			57 Ball				
			59 Securing ring				
			60 Gasket	SPK			
			61 Ball				
			66 Screw				
			73.2 Gasket				


<b>Compact Performance</b>		Pos.	1 Inlet Body				
			15 Bellows				
	Pos.		7 Disc				
			14 Split Ring				
			57 Pin / Ball				
			59 Securing ring				
			60 Gasket	SPK / Spare Parts Package			
			63 Gasket				
			40.3 Spacer				
			61 Ball				


<b>Modulate Action</b>		Pos.	5 Full Nozzle (If apl.)				
			7 Disc				
			15 Bellows				
	Pos.		7.5 Securing ring				
			8.4 Securing ring				
			14 Split ring				
			40.3 Spacer	SPK / Spare Parts Package			
			57 Pin / Ball				
			59 Securing ring				
			60 Gasket				
			61 Ball				

<b>High Performance</b>		Pos.	5 Full Nozzle (If apl.)				
			7 Disc				
			15 Bellows				
	Pos.		7.5 Securing ring				
			8.4 Securing ring				
			14 Split ring				
			40.3 Spacer	SPK / Spare Parts Package			
			57 Pin / Ball				
			59 Securing ring				
			60 Gasket				
			61 Ball				

<b>Clean Service</b>		Pos.	7 Disc				
			70 Elastomer Bellows				
	Pos.		7.1 O-ring				
			14 Split Ring				
			57 Pin				
			60 O-Ring	Spare Parts Package			
			61 Ball				
			70 Bellows				

<b>POSV Main Valve</b>		Pos.	5 Nozzle				
			7 Disc				
	Pos.		6.4 Backup ring				
			6.5 Guide ring				
			7.3 O-ring				
			10 Parallel pin	SPK			
			58 Screw				
			62 Backup ring				
			O-Rings				
			6.3, 60, 61, 63, 67				


<b>Critical Service</b>		Pos.	5 Nozzle				
			7 Disc w. PTFE bellows				
	Pos.		4 Gasket				
			14 Split Ring				
			57 Pin				
			61 Ball	Spare Parts Package			


<b>Best Availability</b>		Pos.	5 Seats		2. Pc		
			7 Disc				
	Pos.		60 Gasket				
			202 Guide ring				
			203 Guide ring				
			204 Packing Gland	Spare Parts Package			

internal

Disclosure cat.:	Ill	proofread by:	Wo	publish date:	07/06/20	effect.dat	07/20
author:	FP	released by:	Row	replaces:	initial	status:	Publishe
resp. depart.:	Sale	date of release:	07/06/20	revision No.:	4		
doc. type:	LGS	change rep.	NA	retention	10y.		

Global Standard	LESER Global Standard Spare Parts Guideline	LGS 2813
		Page 4/7

Pop Pilot	Pos.			
	6, 7, 8	FTC O-ring		
	10	FTC Support		
	11	FTC Spring		
	15	Plunger		
	24.8	Gasket		
	30	O-ring		
	31	O-ring		
	32	O-ring		
	35	Gasket	SPK	
	48	Screen		
	49	Support ring		
	64	Bug screen		
	Manifold block O-rings			
	24.4, 24.5, 24.6			

Modulating Pilot	Pos.		
	6, 7, 8	FTC O-ring	
	10	FTC Support	
	11	FTC Spring	
	24.8	Gasket	
	44	Parallel pin	
	48	Screen	
	49	Support ring	
	64	Bug screen	
	69	Bearing	SPK
	72	Diaphragm	
	73, 74	O-ring	
	77	Lock screw	
	80	Guide ring	
	O-rings		
30, 31, 32, 34, 35, 46			
Manifold block O-rings			
24.4, 24.5, 24.6			

internal

Disclosure cat.:	III	proofread by:	Wo	publish date:	07/06/20	effect.dat	07/20
author:	FP	released by:	Row	replaces:	initial	status:	Publishe
resp. depart.:	Sale	date of release:	07/06/20	revision No.:	4		
doc. type:	LGS	change rep.	NA	retention	10y.		

Global Standard	LESER Global Standard Spare Parts Guideline	LGS 2813
		Page 5/7

## 4.2 Project Business Spare Parts

### 4.2.1 Commissioning Spares

Generally, LESER valves do not need commissioning spare parts. However, it is beneficial to have spare parts kits on hand for every valve to account for the case that the valve needs to be disassembled before regular maintenance is scheduled and an operational spares stock is supplied.

Spare Parts Kit or Spare Parts Package	
Quantity	1 per valve
Price	Acc. to Price list.
Delivery time	Together with valves in project

### 4.2.2 Operational Spares Stock

As a 2-years operational spare stock, LESER recommends to have the “Maintenance Spares” in the following quantities on stock. For 5 years the numbers can be doubled (e.g. 1/3 becomes 2/3).

2 Years Operational Spares Stock							
LESER Product Group	Spare Parts Kit	Nozzle /Seat	Disc	Guide	Spindle	Bellows	Spring
<b>API</b>	1 per valve	Pos. 5 (1 per 5)	Pos. 7 (1 per 3)			Pos. 15 (1 per 3)	
<b>High Performance</b> 441 DIN & ANSI	1 per valve	X	Pos. 7 (1 per 5)			Pos. 15 (1 per 3)	
<b>High Performance</b> 441 FN, 457	1 per valve	Pos. 5 (1 per 5)	Pos. 7 (1 per 5)			Pos. 15 (1 per 3)	
<b>Modulate Action</b>	1 per valve	X	Pos. 7 (1 per 5)			Pos. 15 (1 per 3)	
<b>Compact Performance</b> 459, 462	1 per valve	Pos. 1 (1 per 5)				Pos. 15 (1 per 3)	
<b>Compact Performance</b> 437, 438, 439		Pos. 1 (1 per 5)	Pos. 7 (1 per 5)				
<b>High Efficiency</b> 810 & 820	1 per Main Valve 1 per Pilot	Pos. 5 (1 per 5)	Pos. 7 (1 per 5)				
<b>Clean Service</b>			Pos. 7 (1 per 5)			Pos. 70 (1 per 3)	
<b>Critical Service</b>		Pos. 5 (1 per 3)	Pos. 7 (1 per 3)				
Only applicable for 5 years operational spares stock							
<b>Best Availability</b> 320 & 330	1 per 10 valves	Pos. 5 (2 per 10)	Pos. 7 (1 per 10)				

internal

Disclosure cat.:	III	proofread by:	Wo	publish date:	07/06/20	effect.dat	07/20
author:	FP	released by:	Row	replaces:	initial	status:	Publishe
resp. depart.:	Sale	date of release:	07/06/20	revision No.:	4		
doc. type:	LGS	change rep.	NA	retention	10y.		

Global Standard	LESER Global Standard Spare Parts Guideline	LGS 2813
		Page 6/7

### 4.3 Spare Parts for local configuration

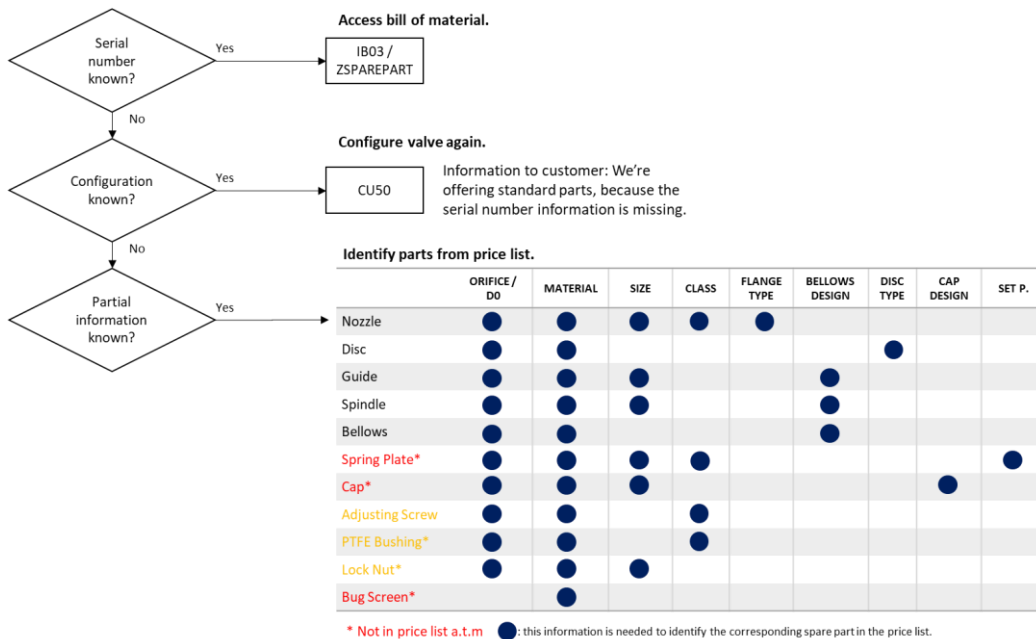
The Spare Parts Kits for the German API configuration can also be used for the Chinese and Indian equivalents.

Orifice	Inlet flange rating class of the safety valve					
	CL150	CL300L	CL300	CL600	CL900	CL1500
D	5012.1101			5012.1102		
E						
F	5012.1103					
G	5012.1104			5012.1121		
H	5012.1105	5012.1106				
J	5012.1107	5012.1108				
K	5012.1109			5012.1110		
L	5012.1111	5012.1112				
M	5012.1113					
N	5012.1114					
P	5012.1115	5012.1116				
Q	5012.1117					
R	5012.1118	5012.1119				
T	5012.1120					

Please refer to LID\_DE 1100.21 - Spare Parts Guideline Localized Products for information about valve replacements and other spare parts.

## 5 Identifying correct part numbers

To identify the correct part numbers for spare parts the following decision tree can be used.



internal

Disclosure cat.:	III	proofread by:	Wo	publish date:	07/06/20	effect.dat	07/20
author:	FP	released by:	Row	replaces:	initial	status:	Publishe
resp. depart.:	Sale	date of release:	07/06/20	revision No.:	4		
doc. type:	LGS	change rep.	NA	retention	10y.		

Global Standard	LESER Global Standard Spare Parts Guideline	LGS 2813
		Page 7/7

## 6 Spare Parts Pricing

Please refer to the LESER price list, or the LDeS 1490 until further notice.

internal

Disclosure cat.:	III	proofread by:	Wo	publish date:	07/06/20	effect.dat	07/20
author:	FP	released by:	Row	replaces:	initial	status:	Publishe
resp. depart.:	Sale	date of release:	07/06/20	revision No.:	4		
doc. type:	LGS	change rep.	NA	retention	10y.		