

Compact Performance

Safety Relief Valves

Series 437

Series 459

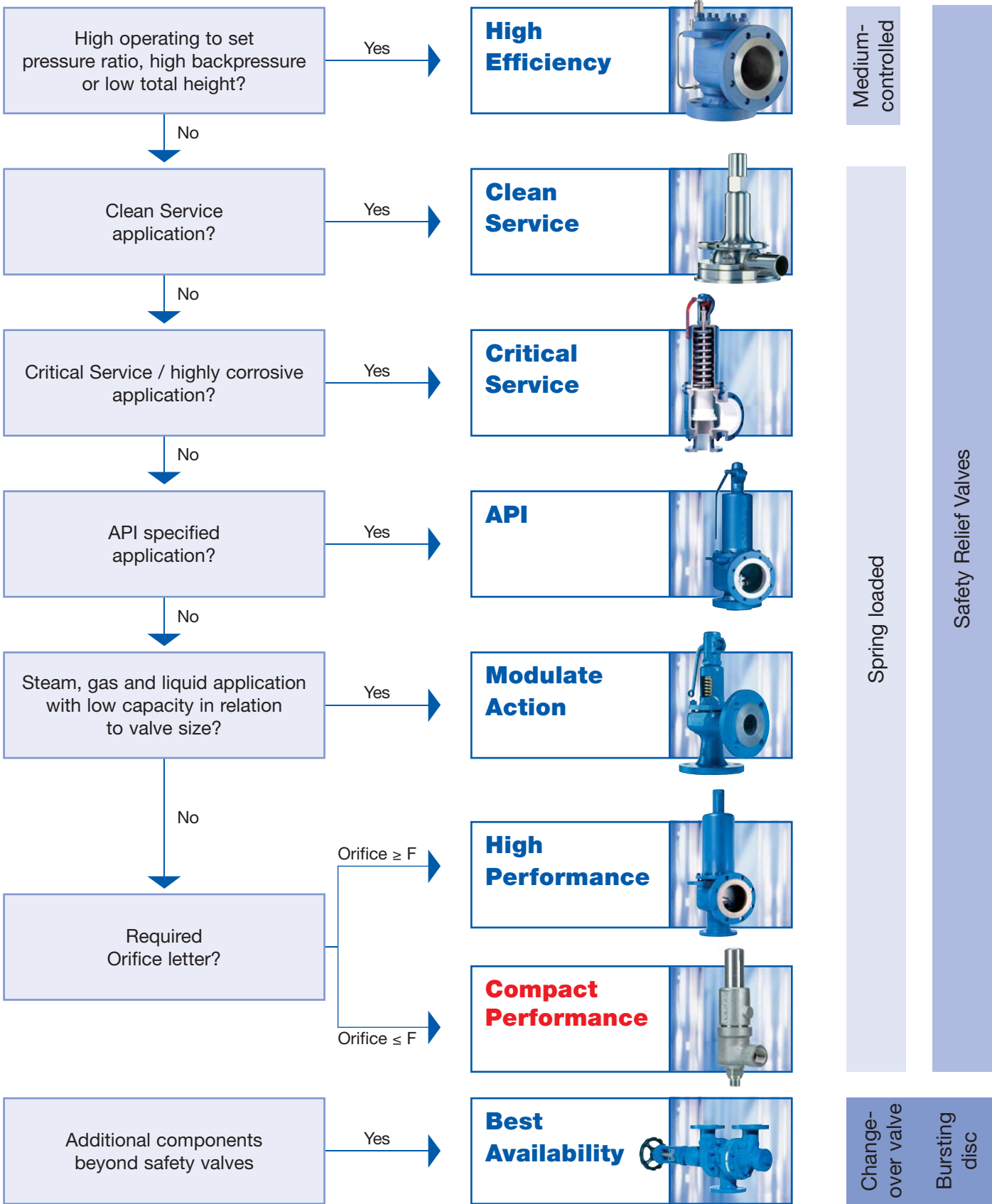


CATALOG

LESER

The-Safety-Valve.com

Valve Finder
How to find the right Product Group



Contents

Compact Performance	
General information	4
Type 437 7	
Designs	8
Materials	9
Article numbers	10
Dimensions and weights	
• Threaded connections	11
• Flanged connections	13
Pressure / temperature ratings	15
Approvals	16
Type 438 17	
Designs	18
Materials	19
Article numbers	20
Dimensions and weights	
• Threaded connections	21
• Flanged connections	23
Pressure / temperature ratings	25
Approvals	26
Type 439 27	
Designs	28
Materials	29
Article numbers	30
Dimensions and weights	
• Threaded connections	31
• Flanged connections	33
Pressure / temperature ratings	35
Approvals	36
Series 437 37	
Available options	37
Available connections	
• Threaded connections	38
• Flanged connections	39

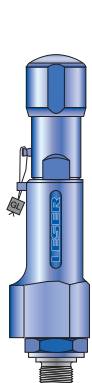
Type 459 41	
Designs	42
Materials	43
Article numbers	44
Dimensions and weights	
• Threaded connections	45
• Flanged connections	47
Pressure / temperature ratings	49
Approvals	51

Type 459 HDD 52	
Designs	53
Materials	54
Article numbers	55
Dimensions and weights	
• Threaded connections	56
• Flanged connections	58
Pressure / temperature ratings	60
Approvals	61

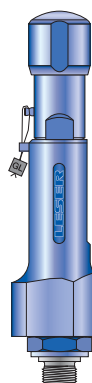
Type 462 62	
Designs	63
Materials	64
Article numbers	65
Dimensions and weights	
• Threaded connections	66
• Flanged connections	68
Pressure / temperature ratings	70
Approvals	72

Type 462 HDD 73	
Designs	74
Materials	75
Article numbers	76
Dimensions and weights	
• Threaded connections	77
• Flanged connections	79
Pressure / temperature ratings	81
Approvals	82

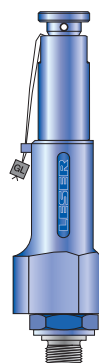
Series 459 83	
Available options	83
Available connections	
• Threaded connections	84
• Flanged connections	85
LESER Original Spare Parts Kits	86



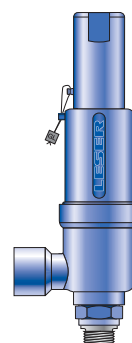
Type 437
Packed knob H4



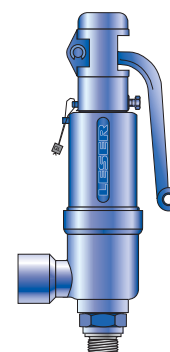
Type 437
Packed knob H4
Long version



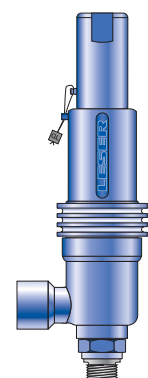
Type 437
Pull button H3



Type 459
Cap H2



Type 459
Plain lever H3



Type 459
Cap H2
Balanced bellows design

General Information



The Compact Performance product group stands for

- ✓ compact dimensions with high capacity relative
- ✓ great variety of threaded and flanged connections
- ✓ wide pressure range

LESER Compact Performance Safety Valves

- are designed to meet all industrial applications up to F orifice
- open rapidly with an overpressure of max. 5 % (Series 459) resp. 10 % (Series 437) to the full design lift
- have a maximum blowdown of minus 10 % for steam/gas service and minus 20 % for liquid service
- are developed in a close cooperation with plant engineers and service specialists
- serve for protection of processes and equipment
- are approved by all important approval organisations worldwide which ensures the worldwide applicability, for example:

- European Community: CE-marking according to the Pressure Equipment Directive (PED) 2014/68/EU and EN ISO 4126-1
- USA: UV-stamp according to ASME Section VIII Division 1, National Board certified capacities
- Germany: VdTÜV approval according to PED, EN ISO 4126-1, TÜV SV 100 and AD 2000-Merkblatt A2
- Canada: Canadian Registration Number according to the requirements of particular provinces
- China: AQSIQ based on the approval according to ASME Section VIII Division 1 and AD 2000-Merkblatt A2
- Eurasian Custom Union: Approval acc. to Eurasian Custom Union (EAC - Eurasian Conformity)

Furthermore, all LESER Compact Performance Safety Valves are designed, marked, produced and approved according to the requirements of the following regulations (directives, codes, rules and standards):

EN ISO 4126-7, EN 12266-1/-2, EN 1092 Part I and II flanging, ASME PTC 25, ASME-Code Sec. II, ASME B 16.34, ASME B16.5 flanging, API Std. 527, API RP 576, AD 2000-Merkblatt A4, AD 2000-Merkblatt HP0.



General Information

Applications

LESER Compact Performance Safety Valves offer ultimate protection against unallowable overpressures in all applications for steam, gases and liquids where smaller capacities are required.

Typical applications for LESER Compact Performance Safety Valves are:

- air/gas compressors and pumps
- technical gases and CO₂ plants
- cylinder filling stations
- chemical equipment and piping
- pressure vessels and piping systems containing gas, air, liquid or steam
- LPG / LNG terminals, carriers etc.
- cryogenic systems and oxygen applications
- thermal relief
- high pressure extraction plants

General Design Features

LESER Compact Performance Safety Valves cover a large variety of types, materials and options to fit any application:

- connection sizes from $\frac{3}{8}$ " to 1 $\frac{1}{2}$ " and 5 orifices (D through F) provide high suitability to the application
- Threaded connections, male and female, according to all international standards guarantee worldwide applicability
- Flanged connections according ANSI, DIN and JIS guarantee a worldwide applicability
- Inlet pressure ratings up to PN 850 to fit all required design pressures
- 2 standard based / inlet body materials, Chrome steel and stainless steel as well as 3 standard body materials, ductile iron, steel and stainless steel can be selected according to the application
- All parts can be machined from bar materials to cover special material requirements such as Hastelloy®, Duplex, Super Duplex, Tantalum or Titanium within unrivalled lead time
- Set pressures from 0.1 to 850 bar / 1.5 to 12325 psig make Compact Performance safety valves suitable for all industrial processes
- Operating temperatures from -273 °C bis +450 °C / -454 °F to 1022 °F (acc. to DIN EN) cover a wide range of applications
- LESER Nanotightness as standard for metal-to-metal sealings. The nanotightness exceeds the requirements for functional tightness of API 527 by 50% which means e.g. less pollution when discharge to atmosphere, 50% reduction in medium loss and increased plant efficiency
- One design and spring (single trim) for steam, gas and liquid applications reduces the number of spare parts and ensures low cost maintenance management
- Ringless design needs no trim adjustments for easy maintenance
- One-piece spindle reduces friction which leads to high operation accuracy
- Self-draining body design, avoids residues and reduces corrosion

Options

- Special connections specified by the customer for optimised adaptation to the plant
- Stellite or hardened metal sealing for longer product life
- Soft seat solutions for superior tightness
- Stainless steel bellows for back pressure compensation
- Heating jackets for applications with high viscosity fluids
- Base / inlet body, body, bonnet and all internal parts can be produced in special materials exactly to meet customer specification requirements



Type 437
Packed knob H4
Conventional design

Type 437
Safety Relief Valves

Type 437
Packed knob H4
Flanged connection



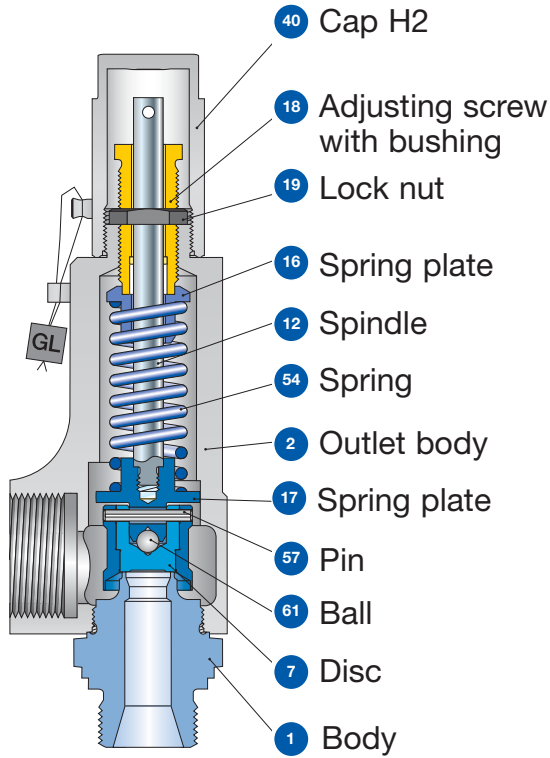
Contents	Page
Designs	8
Materials	9
Article numbers	10
Dimensions and weights	
• Threaded connections	11
• Flanged connections	13
Pressure / temperature ratings	15
Approvals	16



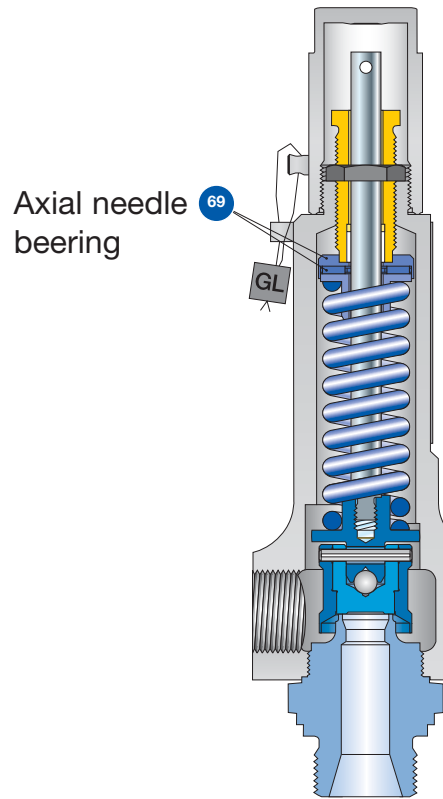
Type 437
Cap H2
Long version

**Type 437
Designs**

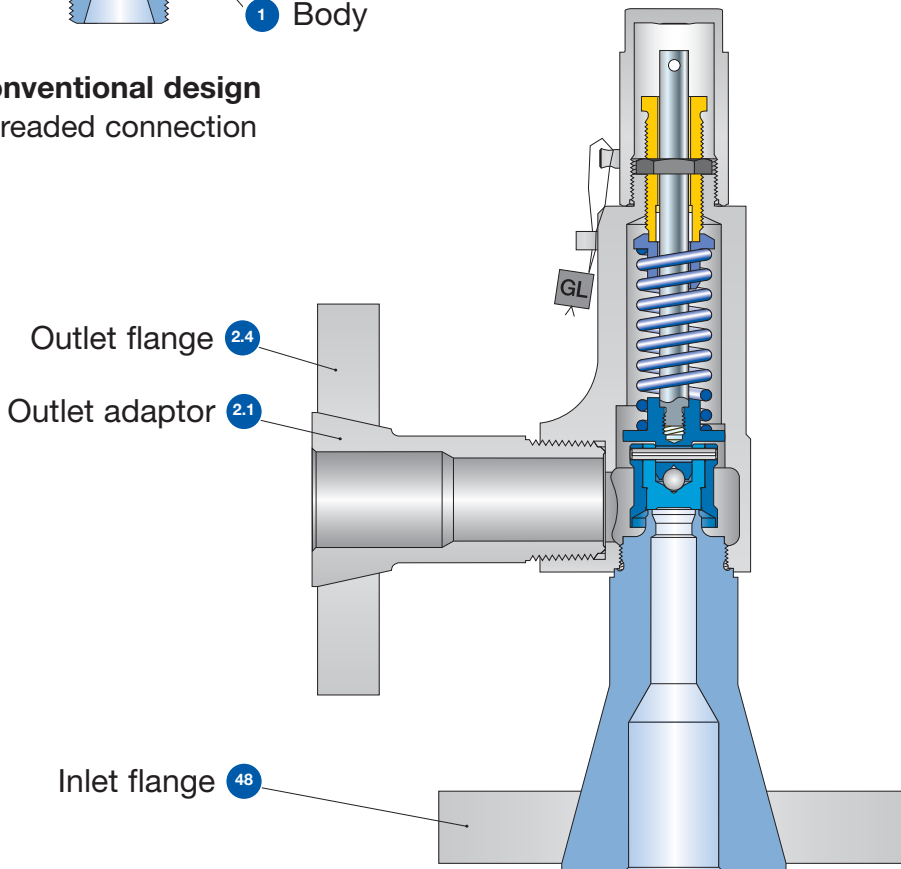
Type 437



Conventional design
Threaded connection



Long version
Threaded connection



Conventional design
Flange connection

Type 437 Materials

Item	Component	Design	Type 4373	Type 4374
1	Base/Inlet body	Threaded connection	1.4104 ^{1) 4)} , 1.4404	1.4404
			SA 479 430 ^{1) 4)} , SA 479 316L	SA 479 316L
		Flange connection	1.4404	1.4404
			SA 479 316L	SA 479 316L
Long version	1.4104 ²⁾ , 1.4404 stellited	1.4404 stellited		
	SA 479 430 ²⁾ , SA 479 316L stellited	SA 479 316L stellited		
2	Outlet body		1.4104 ⁴⁾	1.4404
			SA 479 430 ⁴⁾	SA 479 316L
2.1	Outlet adaptor	Flange connection	1.4404	1.4404
			316L	316L
2.4	Outlet flange	Flange connection	1.4404	1.4404
			316L	316L
7	Disc		1.4122	1.4404
			Hardened stainless steel	SA 316L
		Long version	d ₀ 6: 1.4404 stellited d ₀ 6: 316L stellited	d ₀ 10: 1.4122 d ₀ 10: HSS ⁵⁾
12	Spindle ³⁾		1.4021	1.4404
			420	316L
			Long Version	1.4404
16/17	Spring plate ³⁾		316L	316L
			1.4104	1.4404
			Chrome steel	316L
Long version	1.4404	1.4404		
	316L	316L		
18	Adjusting screw with bushing		1.4104 / PTFE	1.4104 / PTFE
			Chrome steel / PTFE	1.4104 / PTFE
19	Lock nut		1.0718	1.4404
			steel	316L
40	Cap H2		1.0460	1.4404
			SA 105	316L
48	Inlet flange	Flange connection	1.4404	1.4404
			316L	316L
54	Spring		1.4310	1.4310
			Stainless steel	Stainless steel
57	Pin		1.4310	1.4310
			Stainless steel	Stainless steel
61	Ball		1.3541	1.4401
			Hardened stainless steel	316
69	Axial needle bearing	Long version	1.4404	1.4404
			316L	316L

Please notice:

- Modifications reserved by LESER.
- LESER can upgrade materials without notice.
- Every part can be replaced by other material acc. to customer specification.
- The materials shall meet the requirements of the relevant regulations (Pressure Equipment Directive (PED), acc. to PED applied harmonized standards, AD 2000-Merkblätter, VdTÜV (Werkstoffblätter) as well as further materials listed in Section 8 of the Type-Examination.

¹⁾ Only for male thread DIN ISO 228-1 G³/₈, G¹/₂, G³/₄ (Option Codes V49, V54, V55).

²⁾ Only for d₀ 10 with male thread DIN ISO 228-1 G³/₈, G¹/₂, G³/₄ (Option Codes V49, V54, V55).

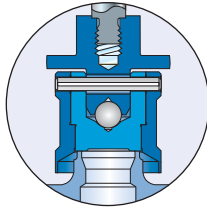
³⁾ The items 12 and 17 are combined to one unit.

⁴⁾ Material 1.4404/316L for ASME application (Option code N68 or N70)

⁵⁾ Hardened stainless steel

Type 437
Article numbers

Type 437



Metal seat

	Conventional design		Long version	
Actual Orifice diameter d_0 [mm]		10	6	10
Actual Orifice area A_0 [mm ²]		78.5	28.3	78.5
Actual Orifice diameter d_0 [inch]		0.394	0.236	0.394
Actual Orifice area A_0 [inch ²]		0.122	0.044	0.122
Base / Inlet body material: 1.4104 (430)¹⁾				
H2	Art. No. 4373.²⁾	2602	2622	2612
H3	Art. No. 4373.²⁾ $p_{max.} = 16 \text{ bar}_g$	2603	-	-
H4	Art. No. 4373.²⁾	2604	2624	2614
p [bar _g]		S/G/L 0.1 – 93	S/G 180 – 365	S/G/L 93 – 180
p [psig]		S/G/L 1.5 – 1349	S/G 2611 – 5294	S/G/L 1349 – 2611
Base / Inlet body material: 1.4404 (316L)				
H2	Art. No. 4374.	3142	3122	3152
H4	Art. No. 4374.	3144	3124	3154
p [bar _g]		S/G/L 0.1 – 68	S/G 180 – 330	S/G/L 68 – 180
p [psig]		S/G/L 1.5 – 986	S/G 2611 – 4786	S/G/L 986 – 2611

¹⁾ Material 1.4404/316L for ASME application (Option code N68 or N70).

²⁾ Type 4373 should not be selected when a „stainless steel“ valve is required due to corrosive medium.

Type 437

Dimensions and weights

Threaded connections [Metric units]

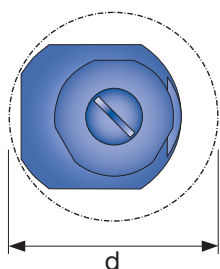
	Size Outlet body	Conventional design			Long version					
		1/2"	3/4"	1"	1/2"	3/4"	1"	1/2"	3/4"	1"
Actual Orifice diameter d ₀ [mm]		10	10	10	6	6	6	10	10	10
Actual Orifice area A ₀ [mm ²]		78.5	78.5	78.5	28.3	28.3	28.3	78.5	78.5	78.5
Weight [kg]		1.2	1.6	1.6	1.4	2.1	2.1	1.4	2.1	2.1
Required installation diameter d [mm]		65	80	80	65	80	80	65	80	80

Inlet thread female

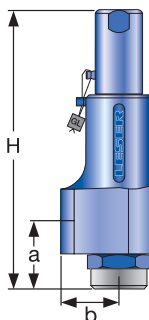
		Size outlet body	Conventional design			Long version								
			1/2"	3/4"	1"	1/2"	3/4"	1"	1/2"	3/4"	1"			
Center to face [mm]														
DIN ISO 228-1	G	Inlet 1/2" a	46	46	49	46	46	49	46	46	49			
			ISO 7-1/BS 21	Rc	Inlet 3/4", 1" a	56	56	59	56	56	59	56	56	59
						ASME B1.20.1	NPT	Outlet b	30	37	37	30	37	37
Height [mm]														
		Inlet 1/2" H max.	209	209	212	230	230	233	230	230	233			
			Inlet 3/4", 1" H max.	219	219	222	240	240	243	240	240	243		

Inlet thread male

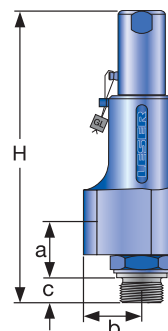
		Size outlet body	Conventional design				Long version				
			1/2"	3/4"	1"	1/2"	3/4"	1"	1/2"	3/4"	1"
Center to face [mm]											
DIN ISO 228-1	G	Inlet a	33	33	36	33	33	36	33	33	36
			Outlet b	30	37	37	30	37	37	30	37
ISO 7-1/BS 21	R	Inlet a	31	31	34	31	31	34	31	31	34
			ASME B1.20.1	NPT	Outlet b	30	37	37	30	37	37
Height [mm]											
		Size inlet thread	Conventional design				Long version				
			3/8"	1/2"	3/4"	1"	3/8"	1/2"	3/4"	1"	
DIN ISO 228-1	G	H max.	208	210	212	217	229	231	233	238	
ISO 7-1/BS 21	R	H max.	–	213	214	220	–	234	235	241	
ASME B1.20.1	NPT	H max.	–	216	216	224	–	237	237	245	
Length of screwed end c [mm]											
		Size inlet thread	3/8"	1/2"	3/4"	1"					
DIN ISO 228-1	G		12	14	16	18					
ISO 7-1/BS 21	R		–	19	20	23					
ASME B1.20.1	NPT		–	22	22	27					



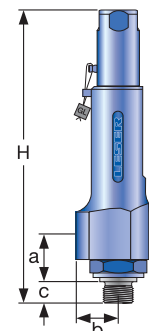
Required installation diameter



Conventional design – female thread



Conventional design – male thread



Long version – male thread

Type 437

Dimensions and weights

Threaded connections [US units]

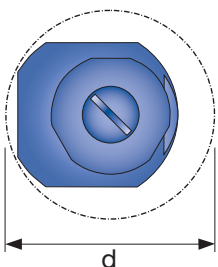
	Size Outlet body	Conventional design			Long version					
		1/2"	3/4"	1"	1/2"	3/4"	1"	1/2"	3/4"	1"
Actual Orifice diameter d ₀ [inch]		0.394	0.394	0.394	0.236	0.236	0.236	0.394	0.394	0.394
Actual Orifice area A ₀ [inch ²]		0.122	0.122	0.122	0.044	0.044	0.044	0.122	0.122	0.122
Weight [lbs]		2.6	3.5	3.5	3.1	4.6	4.6	3.1	4.6	4.6
Required installation diameter d [inch]		2 ⁹ / ₁₆	3 ⁵ / ₃₂	3 ⁵ / ₃₂	2 ⁹ / ₁₆	3 ⁵ / ₃₂	3 ⁵ / ₃₂	2 ⁹ / ₁₆	3 ⁵ / ₃₂	3 ⁵ / ₃₂

Inlet thread female

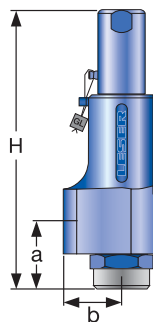
		Size outlet body	Conventional design			Long version							
			1/2"	3/4"	1"	1/2"	3/4"	1"	1/2"	3/4"	1"		
Center to face [inch]													
DIN ISO 228-1	G	Inlet 1/2" a	1 ¹³ / ₁₆	1 ¹³ / ₁₆	1 ¹⁵ / ₁₆	1 ¹³ / ₁₆	1 ¹³ / ₁₆	1 ¹⁵ / ₁₆	1 ¹³ / ₁₆	1 ¹³ / ₁₆	1 ¹⁵ / ₁₆		
		ISO 7-1/BS 21	Rc	Inlet 3/4", 1" a	2 ⁷ / ₃₂	2 ⁷ / ₃₂	2 ⁵ / ₁₆	2 ⁷ / ₃₂	2 ⁷ / ₃₂	2 ⁵ / ₁₆	2 ⁷ / ₃₂	2 ⁷ / ₃₂	2 ⁵ / ₁₆
				ASME B1.20.1	NPT	Outlet b	1 ³ / ₁₆	1 ¹⁵ / ₃₂	1 ¹⁵ / ₃₂	1 ³ / ₁₆	1 ¹⁵ / ₃₂	1 ¹⁵ / ₃₂	1 ³ / ₁₆
Height [inch]													
		Inlet 1/2" H max.	8 ⁷ / ₃₂	8 ⁷ / ₃₂	8 ¹¹ / ₃₂	9 ¹ / ₁₆	9 ¹ / ₁₆	9 ³ / ₁₆	9 ¹ / ₁₆	9 ¹ / ₁₆	9 ³ / ₁₆		
		Inlet 3/4", 1" H max.	8 ⁵ / ₈	8 ⁵ / ₈	8 ³ / ₄	9 ⁷ / ₁₆	9 ⁷ / ₁₆	9 ⁹ / ₁₆	9 ⁷ / ₁₆	9 ⁷ / ₁₆	9 ⁹ / ₁₆		

Inlet thread male

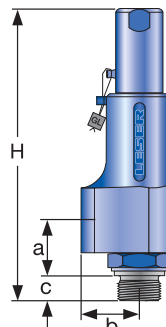
		Size outlet body	Conventional design				Long version				
			1/2"	3/4"	1"	1/2"	3/4"	1"	1/2"	3/4"	1"
Center to face [inch]											
DIN ISO 228-1	G	Inlet a	1 ⁵ / ₁₆	1 ⁵ / ₁₆	1 ¹³ / ₃₂	1 ⁵ / ₁₆	1 ⁵ / ₁₆	1 ¹³ / ₃₂	1 ⁵ / ₁₆	1 ⁵ / ₁₆	1 ¹³ / ₃₂
		Outlet b	1 ³ / ₁₆	1 ¹⁵ / ₃₂	1 ¹⁵ / ₃₂	1 ³ / ₁₆	1 ¹⁵ / ₃₂	1 ¹⁵ / ₃₂	1 ³ / ₁₆	1 ¹⁵ / ₃₂	1 ¹⁵ / ₃₂
ISO 7-1/BS 21	R	Inlet a	1 ⁷ / ₃₂	1 ⁷ / ₃₂	1 ¹¹ / ₃₂	1 ⁷ / ₃₂	1 ⁷ / ₃₂	1 ¹¹ / ₃₂	1 ⁷ / ₃₂	1 ⁷ / ₃₂	1 ¹¹ / ₃₂
			ASME B1.20.1	NPT	Outlet b	1 ³ / ₁₆	1 ¹⁵ / ₃₂	1 ¹⁵ / ₃₂	1 ³ / ₁₆	1 ¹⁵ / ₃₂	1 ¹⁵ / ₃₂
Height [inch]											
		Size inlet thread	Conventional design				Long version				
			3/8"	1/2"	3/4"	1"	3/8"	1/2"	3/4"	1"	
DIN ISO 228-1	G	H max.	8 ³ / ₁₆	8 ¹ / ₄	8 ¹¹ / ₃₂	8 ¹⁷ / ₃₂	9	9 ³ / ₃₂	9 ⁵ / ₃₂	9 ³ / ₈	
ISO 7-1/BS 21	R	H max.	–	8 ³ / ₈	8 ¹³ / ₃₂	8 ²¹ / ₃₂	–	9 ⁷ / ₃₂	9 ¹ / ₄	9 ¹⁵ / ₃₂	
ASME B1.20.1	NPT	H max.	–	8 ¹ / ₂	8 ¹ / ₂	8 ¹³ / ₁₆	–	9 ⁵ / ₁₆	9 ⁵ / ₁₆	9 ²¹ / ₃₂	
Length of screwed end c [inch]											
		Size inlet thread	3/8"		1/2"		3/4"		1"		
DIN ISO 228-1	G		1 ⁵ / ₃₂		9 ¹ / ₁₆		5 ¹ / ₈		2 ³ / ₃₂		
ISO 7-1/BS 21	R		–		3 ¹ / ₄		2 ⁵ / ₃₂		2 ⁹ / ₃₂		
ASME B1.20.1	NPT		–		7 ¹ / ₈		7 ¹ / ₈		1 ¹ / ₁₆		



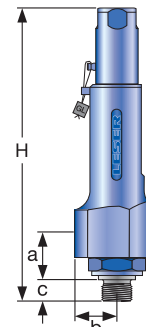
Required installation diameter



Conventional design – female thread



Conventional design – male thread



Long version – male thread

Type 437

Dimensions and weights

Flanged connections [Metric units]

	Conventional design	Long version	
Actual Orifice diameter d_0 [mm]	10	6	10
Actual Orifice area A_0 [mm ²]	78.5	28.3	78.5

DIN EN 1092-1 (Available flange sizes refer to page 04/05)

Flange rating class PN 40			
Center to face	[mm]	Inlet a	103
		Outlet b	100
Height	[mm]	H max.	263

Flange rating class ≥ PN 160			
Center to face	[mm]	Inlet a	103
		Outlet b	100
Height	[mm]	H max.	266

ASME B 16.5 (Available flange sizes refer to page 04/05)

Flange rating class 150			
Center to face	[mm]	Inlet a	103
		Outlet b	100
Height	[mm]	H max.	263

Flange rating class ≥ 300			
Center to face	[mm]	Inlet a	103
		Outlet b	100
Height	[mm]	H max.	266

Note The outlet dimension b can differ at special combinations of nominal diameter and pressure range if flanged connections are used at the inlet and outlet. Special dimensions are possible. More information at sales@leser.com

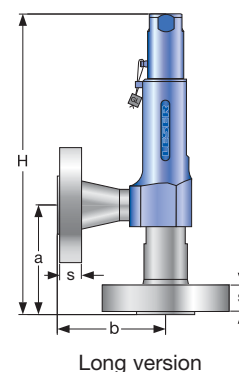
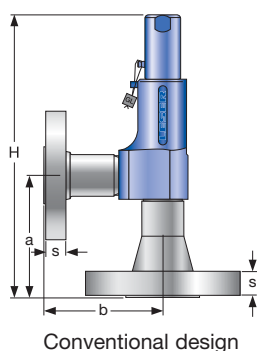
Weight

To calculate the total weight use the formula: $m_T = m_N + m_F(\text{Inlet}) + m_F(\text{Outlet})$

Weight net [kg]	m_N		
(without inlet and outlet flange)		2.4	2.8
			2.8

Flange dimensions

	Size	DIN EN 1092-1 / Flange rating PN						ASME B16.5 / Flange rating						
		40	100	160	250	320	400	Size	150	300	600	900	1500	2500
DN 15								NPS 1/2"						
Flange thickness [mm]	s	18	-	22	28	28	30		14	18	18	26	26	30.2
Weight slip on flange [kg]	m_F	0.8	-	1.2	2.5	2.5	3.6		0.6	0.9	0.9	2.1	2.1	3
DN 20								NPS 3/4"						
Flange thickness [mm]	s	20	22	-	-	-	-		15	18	18	25.4	25.4	32
Weight slip on flange [kg]	m_F	1.1	1.3	-	-	-	-		0.8	1.4	1.4	2.3	2.3	3.5
DN 25								NPS 1"						
Flange thickness [mm]	s	22	-	26	30	36	40		17	21.5	21.5	32.5	32.5	40
Weight slip on flange [kg]	m_F	1.3	-	2.6	3.5	5	7.5		1	2.1	2.1	4.1	4.1	5.1



Type 437

Dimensions and weights

Flanged connections [US units]

Type 437

	Conventional design	Long version
Actual Orifice diameter d_0 [inch]	0.394	0.236
Actual Orifice area A_0 [inch ²]	0.122	0.044

DIN EN 1092-1 (Available flange sizes refer to page 39)

Flange rating PN 40			
Center to face	[inch]	Inlet a	4 ¹ / ₁₆
		Outlet b	3 ¹⁵ / ₁₆
Height	[inch]	H max.	10 ¹¹ / ₃₂

Flange rating ≥ PN 160			
Center to face	[inch]	Inlet a	4 ¹ / ₁₆
		Outlet b	3 ¹⁵ / ₁₆
Height	[inch]	H max.	10 ¹⁵ / ₃₂

ASME B 16.5 (Available flange sizes refer to page 39)

Flange rating class 150			
Center to face	[inch]	Inlet a	4 ¹ / ₁₆
		Outlet b	3 ¹⁵ / ₁₆
Height	[inch]	H max.	10 ¹¹ / ₃₂

Flange rating class ≥ 300			
Center to face	[inch]	Inlet a	4 ¹ / ₁₆
		Outlet b	3 ¹⁵ / ₁₆
Height	[inch]	H max.	10 ¹⁵ / ₃₂

Note The outlet dimension b can differ at special combinations of nominal diameter and pressure range if flanged connections are used at the inlet and outlet. Special dimensions are possible. More information at sales@leser.com

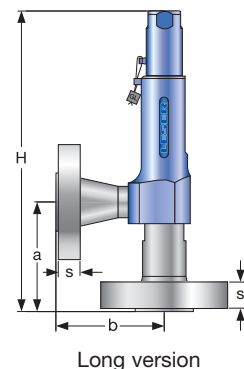
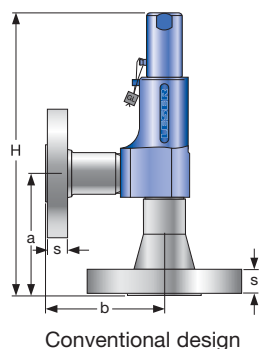
Weight

To calculate the total weight use the formula: $m_T = m_N + m_F$ (Inlet) + m_F (Outlet)

Weight net [lbs]			
(without inlet and outlet flange)	m_N	5.3	6.2

Flange dimensions

	Size	DIN EN 1092-1 / Flange rating PN						ASME B16.5 / Flange rating					
		40	100	160	250	320	400	150	300	600	900	1500	2500
DN 15		NPS 1/2"											
Flange thickness [inch]	s	23/32	-	7/8	23/32	13/32	13/16	9/16	23/32	23/32	13/32	13/32	13/16
Weight slip on flange [lbs]	m_F	1.8	-	2.6	5.5	5.5	7.9	1.3	2.0	2.0	4.6	4.6	6.6
DN 20		NPS 3/4"											
Flange thickness [inch]	s	25/32	7/8	-	-	-	-	19/32	23/32	23/32	1	1	1 1/4
Weight slip on flange [lbs]	m_F	2.4	2.9	-	-	-	-	1.8	3.1	3.1	5.0	5.0	7.7
DN 25		NPS 1"											
Flange thickness [inch]	s	7/8	-	1 1/32	13/16	113/32	9/16	21/32	27/32	27/32	1 9/32	1 9/32	1 9/16
Weight slip on flange [lbs]	m_F	2.9	-	5.7	7.7	11.0	16.5	2.2	4.6	4.6	9.0	9.0	11.2



Type 437

Pressure/temperature ratings

[Metric units + US units]

Metric units

Actual Orifice diameter d_0 [mm]		6				10				
Actual Orifice area A_0 [mm ²]		28.3				78.5				
Body material: 1.4104 (430)										
Base / Inlet Body	Connection size	3/8"	1/2"	3/4"	1"	3/8"	1/2"	3/4"	1"	
	Pressure rating	PN 400				PN 320				
Outlet body	Pressure rating	PN 160				PN 160				
Minimum set pressure	p [bar _g]	S/G/L	180 [S/G only]				0.1			
Maximum set pressure	p [bar _g]	S/G/L	365 [S/G only]				16 [only H3] 180			
Temperature acc. to DIN EN	min [°C]					-10				
	max [°C]					+220				
Temperature acc. to ASME	min [°C]					-29				
	max [°C]					+220				
Body material: 1.4404 (316L)										
Base / Inlet Body	Connection size	3/8"	1/2"	3/4"	1"	3/8"	1/2"	3/4"	1"	
	Pressure rating	PN 400				PN 320				
Outlet body	Pressure rating	PN 160				PN 160				
Minimum set pressure	p [bar _g]	S/G/L	180 [S/G only]				0.1			
Maximum set pressure	p [bar _g]	S/G/L	365 [S/G only]				180			
Temperature acc. to DIN EN	min [°C]					-270				
	max [°C]					+280				
Temperature acc. to ASME	min [°C]					-268				
	max [°C]					+280				

US units

Actual Orifice diameter d_0 [inch]		0,236				0,394				
Actual Orifice area A_0 [inch ²]		0,044				0,122				
Body material: 1.4104 (430)										
Base / Inlet Body	Connection size	3/8"	1/2"	3/4"	1"	3/8"	1/2"	3/4"	1"	
	Minimum set pressure	p [psig]	S/G/L	2611				1.5		
Maximum set pressure	p [psig]	S/G/L	5294				145 [only H3] 2611			
Temperature acc. to DIN EN	min [°F]					+14				
	max [°F]					+428				
Temperature acc. to ASME	min [°F]					-20				
	max [°F]					+428				
Body material: 1.4404 (316L)										
Base / Inlet Body	Connection size	3/8"	1/2"	3/4"	1"	3/8"	1/2"	3/4"	1"	
	Minimum set pressure	p [psig]	S/G/L	2611				1.5		
Maximum set pressure	p [psig]	S/G/L	5294				2611			
Temperature acc. to DIN EN	min [°F]					-450				
	max [°F]					+536				
Temperature acc. to ASME	min [°F]					-450				
	max [°F]					+536				

Type 437 Approvals

Actual Orifice diameter d_0 [mm]		6	10
Actual Orifice area A_0 [mm ²]		28.3	78.5
Actual Orifice diameter d_0 [inch]		0.236	0.394
Actual Orifice area A_0 [inch ²]		0.044	0.122
Europe			
		Coefficient of discharge K_{dr}	
Approval No.		072020111Z0008/0/21	
PED/DIN EN ISO 4126-1	S/G	0.72	0.50
	L	–	0.35
Germany			
		Coefficient of discharge α_w	
Approval No.		TÜV SV 980	
PED/AD 2000-Merkblatt A2	S/G	0.72	0.50
	L	–	0.35
United States			
		Coefficient of discharge K	
ASME Sec. VIII Div. 1	Zulassungs-Nr.	–	M 37213
	D/G	–	0.458
	Zulassungs-Nr.	–	M 37189
	F	–	0.333
Canada			
		Coefficient of discharge K	
Approval No.		The current approval no. can be found at www.leser.com	
CRN	S/G	–	0.458
	L	–	0.333
China			
		Coefficient of discharge α_w	
Approval No.		The current approval no. can be found at www.leser.com	
AQSIQ	S/G	0.72	0.50
	L	–	0.35
Eurasian Custom Union			
		Coefficient of discharge α_w	
Approval No.		The current approval no. can be found at www.leser.com	
EAC	S/G	0.72	0.50
	L	–	0.35
Classification societies			
		Homepage	
Bureau Veritas	BV	www.bureauveritas.com	
DNV GL		www.dnvgl.com	
Lloyd's Register EMEA	LREMEA	www.lr.org	
Registro Italiano Navale	RINA	www.rina.org	
U.S. Coast Guard	U.S.C.G	www.uscg.org	
		The valid certification number is changed with every renewal.	
		A sample certificate including the valid certification number can be found at www.leser.com	

Rated slope

Within the capacity certification according to ASME Sec. VIII Div. 1 the coefficients of discharge for Series 437 are issued as "rated slope values" instead of K values. Rated slope values can be converted into K values. The table above shows the converted K values. The original rated slope values are listed in the table below.

Fluid	Rated slope Type 437
S	2.86 lb / hr / PSIA
G	1.02 SCFM / PSIA
L	1.54 GPM $\sqrt{\text{PSID}}$



Type 438
Packed knob H4
Conventional design

Type 438
Packed knob H4
Flanged connection



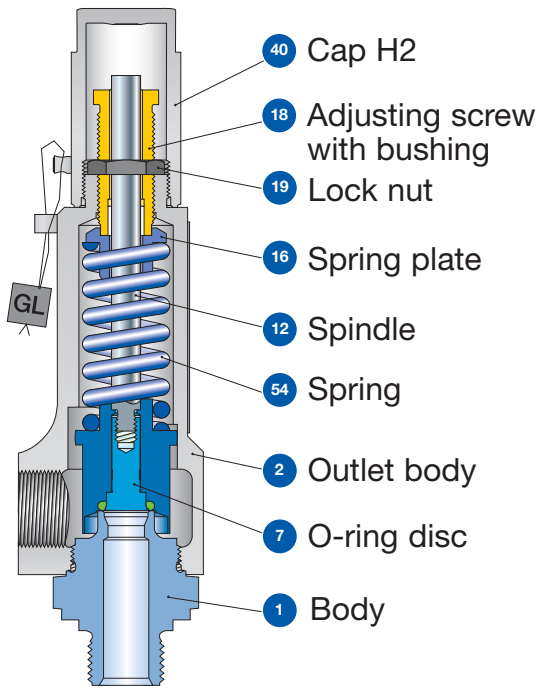
Type 438
Cap H2
Long version

Type 438 Safety Relief Valves

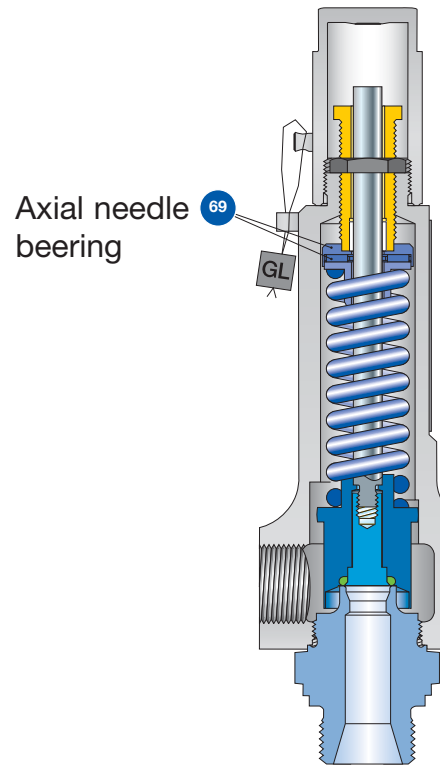
Contents	Page
Designs	18
Materials	19
Article numbers	20
Dimensions and weights	
• Threaded connections	21
• Flanged connections	23
Pressure / temperature ratings	25
Approvals	26

Type 438
Designs

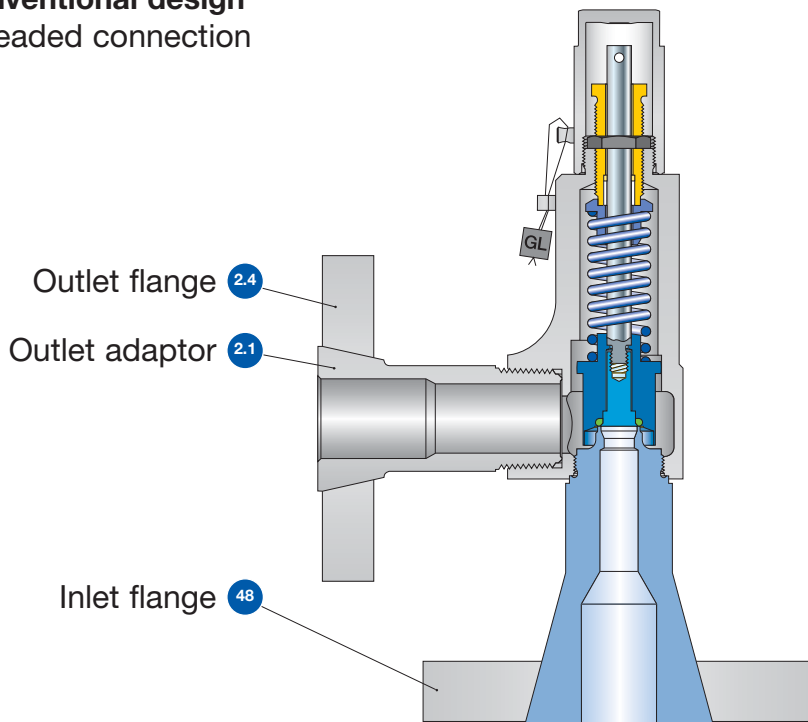
Type 438



Conventional design
 Threaded connection



Long version
 Threaded connection



Conventional design
 Flange connection

Type 438 Materials

Item	Component	Design	Type 4383	Type 4384
1	Base / Inlet body	Threaded connection	1.4104 ^{1) 2)} , 1.4404 SA 479 430 ^{1) 2)} , SA 479 316L	1.4404 SA 479 316L
		Flange connection	1.4404 SA 479 316L	1.4404 SA 479 316L
		Long version	1.4104 ¹⁾ , 1.4404 SA 479 430 ¹⁾ , SA 479 316L	1.4404 SA 479 316L
2	Outlet body		1.4104 ²⁾ SA 479 430 ²⁾	1.4404 SA 479 316L
2.1	Outlet adaptor	Flange connection	1.4404 316L	1.4404 316L
2.4	Outlet flange	Flange connection	1.4404 316L	1.4404 316L
7	O-ring disc		1.4404 SA 479 316L	1.4404 SA 479 316L
7.4	Soft seal O-ring	"N" ³⁾	NBR Nitrile-Butadiene	NBR Nitrile-Butadiene
		"K" ³⁾	CR Chloroprene	CR Chloroprene
		"D" ³⁾	EPDM Ethylen-Propylene-Diene	EPDM Ethylen-Propylene-Diene
		"L" ³⁾	FKM Fluorocarbon	FKM Fluorocarbon
		"C" ⁴⁾	FFKM Perfluor	FFKM Perfluor
12	Spindle		1.4021 420	1.4404 316L
		Long version	1.4404 316L	1.4404 316L
16	Spring plate		1.4104 Chrome steel	1.4404 316L
		Long version	1.4404 316L	1.4404 316L
18	Adjusting screw with bushing		1.4104 / PTFE Chrome steel / PTFE	1.4404 / PTFE 316L / PTFE
19	Lock nut		1.0718 Steel	1.4404 316L
40	Cap H2		1.0460 SA 105	1.4404 316L
48	Inlet flange	Flange connection	1.4404 316L	1.4404 316L
54	Spring		1.4310 Stainless steel	1.4310 Stainless steel
69	Axial needle bearing	Long version	1.4404 316L	1.4404 316L

Please notice:

- Modifications reserved by LESER.
- LESER can upgrade materials without notice.
- Every part can be replaced by other material acc. to customer specification.
- The materials shall meet the requirements of the relevant regulations (Pressure Equipment Directive (PED), acc. to PED applied harmonized standards, AD 2000-Merkblätter, VdTÜV (Werkstoffblätter) as well as further materials listed in Section 8 of the Type-Examination.

¹⁾ Only for male thread DIN ISO 228-1 G³/₈, G¹/₂, G³/₄ (Option codes V49, V54, V55).

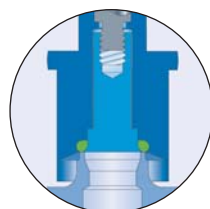
²⁾ Material 1.4404/316L for ASME application (Option code N68 or N70)

³⁾ Long version: O-ring 90 Shore for set pressures > 120 bar

⁴⁾ O-ring 90 Shore for set pressures > 40 bar

Type 438
Article numbers

Type 438



O-ring disc

		Conventional design	Long version
Actual Orifice diameter d_0 [mm]		10	10
Actual Orifice area A_0 [mm ²]		78.5	78.5
Actual Orifice diameter d_0 [inch]		0.394	0.394
Actual Orifice area A_0 [inch ²]		0.122	0.122
O-ring material		NBR "N" J30	NBR "N" J30 ³⁾
		CR "K" J21	CR "K" J21 ³⁾
		EPDM "D" J22	EPDM "D" J22 ³⁾
		FKM "L" J23	FKM "L" J23 ³⁾
		FFKM "C" J20 ⁴⁾	FFKM "C" J20 ⁴⁾
Base/Inlet body material: 1.4104 (430)¹⁾			
H2	Art. No. 4383. ²⁾	2862	2872
H3	Art. No. 4383. ²⁾	2863	-
$p_{max} = 16 \text{ bar}_g$			
H4	Art. No. 4383. ²⁾	2864	2874
p [bar _g]	S/G/L	5 – 93	93 – 180
p [psig]	S/G/L	72.5 – 1349	1349 – 2611
Base/Inlet body material: 1.4404 (316L)			
H2	Art. No. 4384.	2982	2992
H4	Art. No. 4384.	2984	2994
p [bar _g]	S/G/L	5 – 68	68 – 180
p [psig]	S/G/L	72.5 – 986	986 – 2611

¹⁾ Material 1.4404/316L for ASME application (Option code N68 or N70)
²⁾ Type 4383 should not be selected when a „stainless steel“ valve is required due to corrosive medium.
³⁾ O-ring 90 Shore for set pressures > 120 bar
⁴⁾ O-ring 90 Shore for set pressures > 40 bar

Type 438

Dimensions and weights

Threaded connections [Metric units]

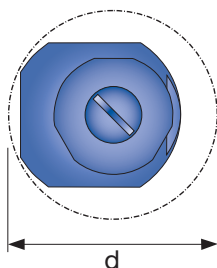
Size Outlet body	Conventional design			Long version		
	1/2"	3/4"	1"	1/2"	3/4"	1"
Actual Orifice diameter d_0 [mm]	10	10	10	10	10	10
Actual Orifice area A_0 [mm ²]	78.5	78.5	78.5	78.5	78.5	78.5
Weight [kg]	1.2	1.6	1.6	1.4	2.1	2.1
Required installation diameter d [mm]	65	80	80	65	80	80

Inlet thread female

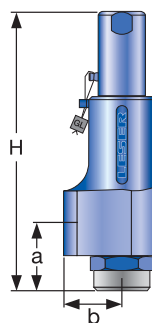
Size outlet body	Conventional design			Long version				
	1/2"	3/4"	1"	1/2"	3/4"	1"		
Center to face [mm]								
DIN ISO 228-1 ISO 7-1/BS 21 ASME B1.20.1	G Rc NPT	Inlet 1/2" a	46	46	49	46	46	49
		Inlet 3/4", 1" a	56	56	59	56	56	59
		Outlet b	30	37	37	30	37	37
Height [mm]								
		Inlet 1/2" H max.	209	209	212	230	230	233
		Inlet 3/4", 1" H max.	219	219	222	240	240	243

Inlet thread male

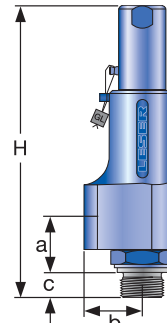
Size outlet body	Conventional design			Long version						
	1/2"	3/4"	1"	1/2"	3/4"	1"				
Center to face [mm]										
DIN ISO 228-1 ISO 7-1/BS 21 ASME B1.20.1	G R NPT	Inlet a	33	33	36	33	33	36		
		Outlet b	30	37	37	30	37	37		
		Inlet a	31	31	34	31	31	34		
		Outlet b	30	37	37	30	37	37		
Height [mm]										
Size inlet thread	Conventional design				Long version					
	3/8"	1/2"	3/4"	1"	3/8"	1/2"	3/4"	1"		
DIN ISO 228-1 ISO 7-1/BS 21 ASME B1.20.1	G R NPT	H max.	208	210	212	217	229	231	233	238
		H max.	–	213	214	220	–	234	235	241
		H max.	–	216	216	224	–	237	237	245
Length of screwed end c [mm]										
Size inlet thread	Conventional design			Long version						
	3/8"	1/2"	1"	3/4"	1"	1"				
DIN ISO 228-1 ISO 7-1/BS 21 ASME B1.20.1	G R NPT	12	14	16	18	18				
		–	19	20	23	23				
		–	22	22	27	27				



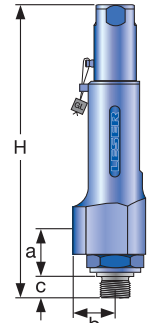
Required installation diameter



Conventional design – female thread



Conventional design – male thread



Long version – male thread

Type 438

Dimensions and weights

Threaded connections [US units]

Size Outlet body	Conventional design			Long version		
	1/2"	3/4"	1"	1/2"	3/4"	1"
Actual Orifice diameter d_0 [inch]	0.394	0.394	0.394	0.394	0.394	0.394
Actual Orifice area A_0 [inch ²]	0.122	0.122	0.122	0.122	0.122	0.122
Weight [lbs]	2.6	3.5	3.5	3.1	4.6	4.6
Required installation diameter d [inch]	2 ⁹ / ₁₆	3 ⁵ / ₃₂	3 ⁵ / ₃₂	2 ⁹ / ₁₆	3 ⁵ / ₃₂	3 ⁵ / ₃₂

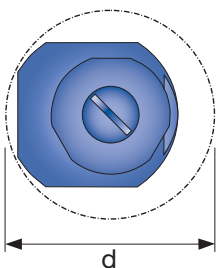
Inlet thread female

Size outlet body	Conventional design			Long version		
	1/2"	3/4"	1"	1/2"	3/4"	1"
Center to face [inch]						
DIN ISO 228-1	G	Inlet 1/2" a	1 ¹³ / ₁₆	1 ¹³ / ₁₆	1 ¹⁵ / ₁₆	1 ¹³ / ₁₆
ISO 7-1/BS 21	Rc					
ASME B1.20.1	NPT	Inlet 3/4", 1" a	2 ⁷ / ₃₂	2 ⁷ / ₃₂	2 ⁵ / ₁₆	2 ⁷ / ₃₂
		Outlet b	1 ³ / ₁₆	1 ¹⁵ / ₃₂	1 ¹⁵ / ₃₂	1 ¹⁵ / ₃₂
Height [inch]						
		Inlet 1/2" H max.	8 ⁷ / ₃₂	8 ⁷ / ₃₂	8 ¹¹ / ₃₂	9 ¹ / ₁₆
		Inlet 3/4", 1" H max.	8 ⁵ / ₈	8 ⁵ / ₈	8 ³ / ₄	9 ⁷ / ₁₆

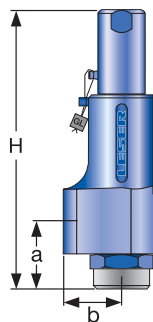
Inlet thread male

Size outlet body	Conventional design			Long version					
	1/2"	3/4"	1"	1/2"	3/4"	1"			
Center to face [inch]									
DIN ISO 228-1	G	Inlet a	1 ⁵ / ₁₆	1 ⁵ / ₁₆	1 ¹³ / ₃₂	1 ⁵ / ₁₆			
		Outlet b	1 ³ / ₁₆	1 ¹⁵ / ₃₂	1 ¹⁵ / ₃₂	1 ¹⁵ / ₃₂			
ISO 7-1/BS 21	R	Inlet a	1 ⁷ / ₃₂	1 ⁷ / ₃₂	1 ¹¹ / ₃₂	1 ⁷ / ₃₂			
ASME B1.20.1	NPT	Outlet b	1 ³ / ₁₆	1 ¹⁵ / ₃₂	1 ¹⁵ / ₃₂	1 ¹⁵ / ₃₂			
Height [inch]									
Size inlet thread	Conventional design				Long version				
	3/8"	1/2"	3/4"	1"	3/8"	1/2"	3/4"	1"	
DIN ISO 228-1	G	H max.	8 ³ / ₁₆	8 ¹ / ₄	8 ¹¹ / ₃₂	8 ¹⁷ / ₃₂	9	9 ³ / ₃₂	9 ⁵ / ₃₂
ISO 7-1/BS 21	R	H max.	–	8 ³ / ₈	8 ¹³ / ₃₂	8 ²¹ / ₃₂	–	9 ⁷ / ₃₂	9 ¹ / ₄
ASME B1.20.1	NPT	H max.	–	8 ¹ / ₂	8 ¹ / ₂	8 ¹³ / ₁₆	–	9 ⁵ / ₁₆	9 ⁵ / ₁₆

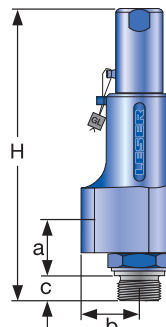
Length of screwed end c [inch]						
Size inlet thread	Conventional design		Long version		Long version	
	3/8"	1/2"	3/4"	1"	3/4"	1"
DIN ISO 228-1	G	1 ⁵ / ₃₂	9/16	5/8	23/32	23/32
ISO 7-1/BS 21	R	–	3/4	25/32	29/32	29/32
ASME B1.20.1	NPT	–	7/8	7/8	11/16	11/16



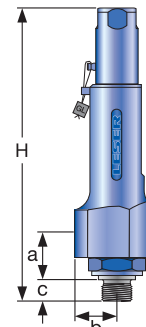
Required installation diameter



Conventional design – female thread



Conventional design – male thread



Long version – male thread

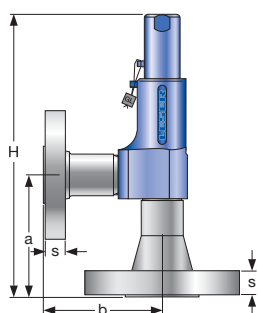
Type 438

Dimensions and weights

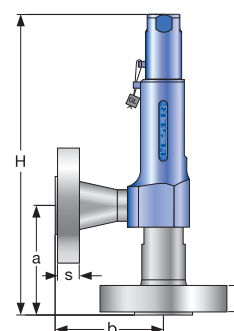
Flanged connections [Metric units]

		Conventional design		Long version	
Actual Orifice diameter d_0 [mm]		10		10	
Actual Orifice area A_0 [mm ²]		78.5		78.5	
DIN EN 1092-1					
Flange rating PN 40					
Center to face	[mm]	Inlet a	103	103	
		Outlet b	100	100	
Height	[mm]	H max.	263	284	
Flange rating \geq PN 160					
Center to face	[mm]	Inlet a	103	103	
		Outlet b	100	100	
Height	[mm]	H max.	266	287	
ASME B 16.5					
Flange rating class 150					
Center to face	[mm]	Inlet a	103	103	
		Outlet b	100	100	
Height	[mm]	H max.	263	284	
Flange rating class \geq 300					
Center to face	[mm]	Inlet a	103	103	
		Outlet b	100	100	
Height	[mm]	H max.	266	287	
Weight					
For the calculation of the total weight please use the Formular: $W_T = W_N + W_F$ (Inlet) + W_F (Outlet)					
Weight net	[kg]	W_N	2.4	2.8	
(without inlet and outlet flange)					

		DIN EN 1092-1 / Flange rating PN						ASME B16.5 / Flange rating class						
		Size	40	100	160	250	320	400	Size	150	300	600	900	1500
DN 15								NPS $1/2"$						
Flange thickness	[mm] s	18	-	22	28	28	30		14	18	18	26	26	30.2
Weight slip on flange	[kg] W_F	0.8	-	1.2	2.5	2.5	3.6		0.6	0.9	2.0	2.1	2.1	3
DN 20								NPS $3/4"$						
Flange thickness	[mm] s	20	22	-	-	-	-		15	18	18	25.4	25.4	32
Weight slip on flange	[kg] W_F	1.1	1.3	-	-	-	-		0.8	1.4	1.4	2.3	2.3	3.5
DN 25								NPS 1"						
Flange thickness	[mm] s	22	-	26	30	36	40		17	21.5	21.5	32.5	32.5	40
Weight slip on flange	[kg] W_F	1.3	-	2.6	3.5	5	7.5		1	2.1	2.1	4.1	4.1	5.1



Conventional design



Long version

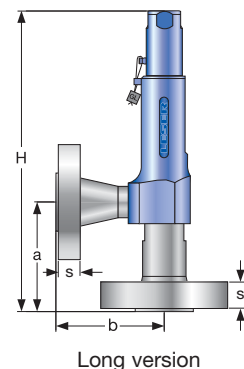
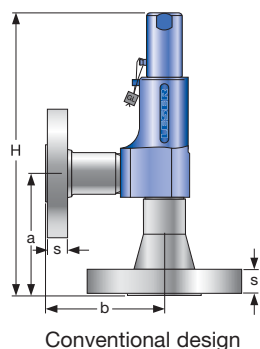
Type 438

Dimensions and weights

Flanged connections [US units]

		Conventional design		Long version	
Actual Orifice diameter d_0 [inch]		0.394		0.394	
Actual Orifice area A_0 [inch ²]		0.122		0.122	
DIN EN 1092-1 (Available flange sizes refer to page 04/05)					
Flange rating PN 40					
Center to face	[inch]	Inlet a	$4^{1/16}$	$4^{1/16}$	
		Outlet b	$3^{15/16}$	$3^{15/16}$	
Height	[inch]	H max.	$10^{11/32}$	$10^{3/16}$	
Flange rating \geq PN 160					
Center to face	[inch]	Inlet a	$4^{1/16}$	$4^{1/16}$	
		Outlet b	$3^{15/16}$	$3^{15/16}$	
Height	[inch]	H max.	$10^{15/32}$	$11^{5/16}$	
ASME B 16.5 (Available flange sizes refer to page 04/05)					
Flange rating class 150					
Center to face	[inch]	Inlet a	$4^{1/16}$	$4^{1/16}$	
		Outlet b	$3^{15/16}$	$3^{15/16}$	
Height	[inch]	H max.	$10^{11/32}$	$11^{3/16}$	
Flange rating class \geq 300					
Center to face	[inch]	Inlet a	$4^{1/16}$	$4^{1/16}$	
		Outlet b	$3^{15/16}$	$3^{15/16}$	
Height	[inch]	H max.	$10^{15/32}$	$11^{5/16}$	
Weight					
For the calculation of the total weight please use the Formular: $W_T = W_N + W_F$ (Inlet) + W_F (Outlet)					
Weight net	[lbs]	W_N	5.3	6.2	
(without inlet and outlet flange)					

Flange dimensions and availability															
		DIN EN 1092-1 / Flange rating PN						ASME B16.5 / Flange rating class							
Size		40	100	160	250	320	400	Size	150	300	600	900	1500	2500	
DN 15		NPS $1/2$"													
Flange thickness [inch]	s	$23/32$	–	$7/8$	$1^3/32$	$1^3/32$	$1^6/32$		$9/16$	$23/32$	$23/32$	$1^1/32$	$1^1/32$	$1^6/32$	
Weight slip on flange [lbs]	W_F	1.8	–	2.6	5.5	5.5	7.9		1.3	2.0	2.0	4.6	4.6	6.6	
DN 20		NPS $3/4$"													
Flange thickness [inch]	s	$25/32$	$28/32$	–	–	–	–		$19/32$	$23/32$	$23/32$	1	1	$1^8/32$	
Weight slip on flange [lbs]	W_F	2.4	2.9	–	–	–	–		1.8	3.1	3.1	5.0	5.0	7.7	
DN 25		NPS 1"													
Flange thickness [inch]	s	$7/8$	–	$1^1/32$	$1^6/32$	$1^13/32$	$1^18/32$		$21/32$	$27/32$	$27/32$	$1^9/32$	$1^9/32$	$1^18/32$	
Weight slip on flange [lbs]	W_F	2.9	–	5.7	7.7	11.0	16.5		2.2	4.6	4.6	9.0	9.0	11.2	



Type 438

Pressure/temperature ratings

[Metric units + US units]

Metric units

		Conventional design				Long version			
Actual Orifice diameter d_0 [mm]		10				10			
Actual Orifice Area A_0 [mm ²]		78.5				78.5			
Body material: 1.4104 (430)									
Base / Inlet Body	Connection size	3/8"	1/2"	3/4"	1"	3/8"	1/2"	3/4"	1"
	Pressure rating	PN 250				PN 250			
Outlet body	Pressure rating	PN 160				PN 160			
Minimum set pressure	p [bar _g]	5				93			
Maximum set pressure	p [bar _g]	16 [only H3] 93				180			
Temperature acc. to DIN EN	min [°C]	-10				-10			
	max [°C]	+150				+150			
Temperature acc. to ASME	min [°C]	-29				-29			
	max [°C]	+150				+150			
Body material: 1.4404 (316L)									
Base / Inlet Body	Connection size	3/8"	1/2"	3/4"	1"	3/8"	1/2"	3/4"	1"
	Pressure rating	PN 250				PN 250			
Outlet body	Pressure rating	PN 160				PN 160			
Minimum set pressure	p [bar _g]	5				68			
Maximum set pressure	p [bar _g]	68				180			
Temperature acc. to DIN EN	min [°C]	-45				-45			
	max [°C]	+150				+150			
Temperature acc. to ASME	min [°C]	-45				-45			
	max [°C]	+150				+150			

US units

		Conventional design				Long version			
Actual Orifice diameter d_0 [inch]		0.394				0.394			
Actual Orifice area A_0 [inch ²]		0.122				0.122			
Body material: 1.4104 (430)									
Base / Inlet Body	Connection size	3/8"	1/2"	3/4"	1"	3/8"	1/2"	3/4"	1"
Minimum set pressure	p [psig]	72.5				1349			
Maximum set pressure	p [psig]	232 [only H3] 1349				2611			
Temperature acc. to DIN EN	min [°F]	+14				+14			
	max [°F]	+302				+302			
Temperature acc. to ASME	min [°F]	-20				-20			
	max [°F]	+302				+302			
Body material: 1.4404 (316L)									
Base / Inlet Body	Connection size	3/8"	1/2"	3/4"	1"	3/8"	1/2"	3/4"	1"
Minimum set pressure	p [psig]	72.5				986			
Maximum set pressure	p [psig]	986				2611			
Temperature acc. to DIN EN	min [°F]	-49				-49			
	max [°F]	+302				+302			
Temperature acc. to ASME	min [°F]	-49				-49			
	max [°F]	+302				+302			

¹⁾ The temperature is limited by soft seal material. The stated values are valid for EPDM.

Type 438
Approvals

Type 438

Actual Orifice diameter d_0 [mm]		10
Actual Orifice area A_0 [mm ²]		78.5
Actual Orifice diameter d_0 [inch]		0.394
Actual Orifice area A_0 [inch ²]		0.122
Europe Coefficient of discharge K_{dr}		
PED / DIN EN ISO 4126-1	Approval No.	072020111Z0008/0/21
	S/G	0.40
	L	0.33
Germany Coefficient of discharge α_w		
PED / AD 2000-Merkblatt A2	Approval No.	TÜV SV 980
	S/G	0.40
	L	0.33
United States Coefficient of discharge K		
ASME Sec. VIII Div. 1	Approval No.	M 37190
	S/G	0.406
	Approval No.	M 371202
	L	0.322
Canada Coefficient of discharge K		
CRN	Approval No.	The current approval no. can be found at www.leser.com .
	S/G	0.406
	L	0.322
China Coefficient of discharge α_w		
AQSIQ	Approval No.	The current approval no. can be found at www.leser.com .
	S/G	0.40
	L	0.33
Eurasian Custom Union Coefficient of discharge α_w		
EAC	Approval No.	The current approval no. can be found at www.leser.com .
	S/G	0.40
	L	0.33
Classification societies		Homepage
Bureau Veritas	BV	www.bureauveritas.com
DNV GL		www.dnvgl.com
Lloyd's Register EMEA	LREMEA	www.lr.org
Registro Italiano Navale	RINA	www.rina.org
U.S. Coast Guard	U.S.C.G	www.uscg.org

Rated slope

Within the capacity certification according to ASME Sec. VIII Div. 1 the coefficients of discharge for Series 437 are issued as "rated slope values" instead of K values. Rated slope values can be converted into K values. The table above shows the converted K values. The original rated slope values are listed in the table below.

Fluid	Rated slope Type 438
S	2.55 lb / hr / PSIA
G	0.904 SCFM / PSIA
L	1.49 GPM $\sqrt{\text{PSID}}$



Type 439
Packed knob H4
Conventional design



Type 439
Packed knob H4
Flanged connection



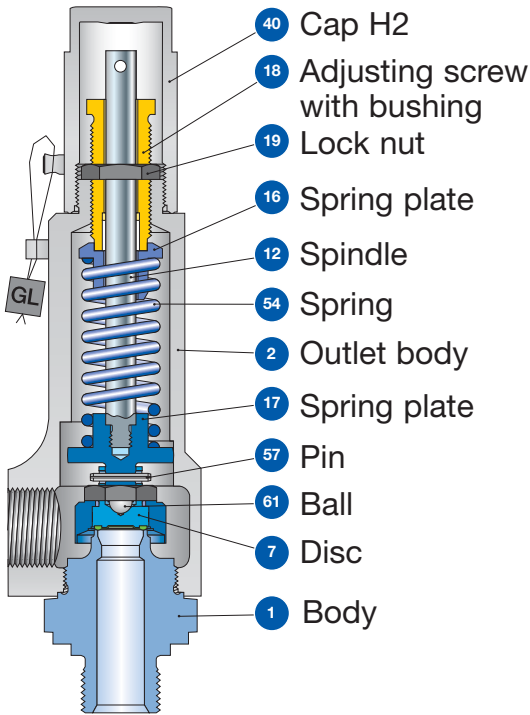
Type 439
Cap H2
Long version

Type 439 Safety Relief Valves

Contents	Page
Designs	18
Materials	19
Article numbers	20
Dimensions and weights	
• Threaded connections	21
• Flanged connections	23
Pressure / temperature ratings	25
Approvals	26
Series 437	
Available options	37
Available connections	
• Threaded connections	38
• Flanged connections	39

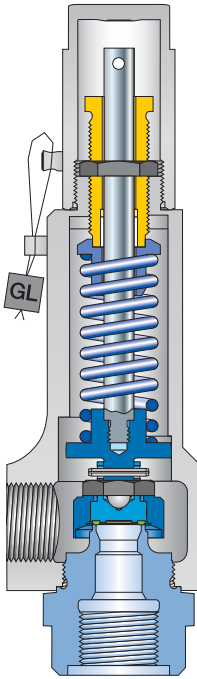
Type 439
Designs

Type 439

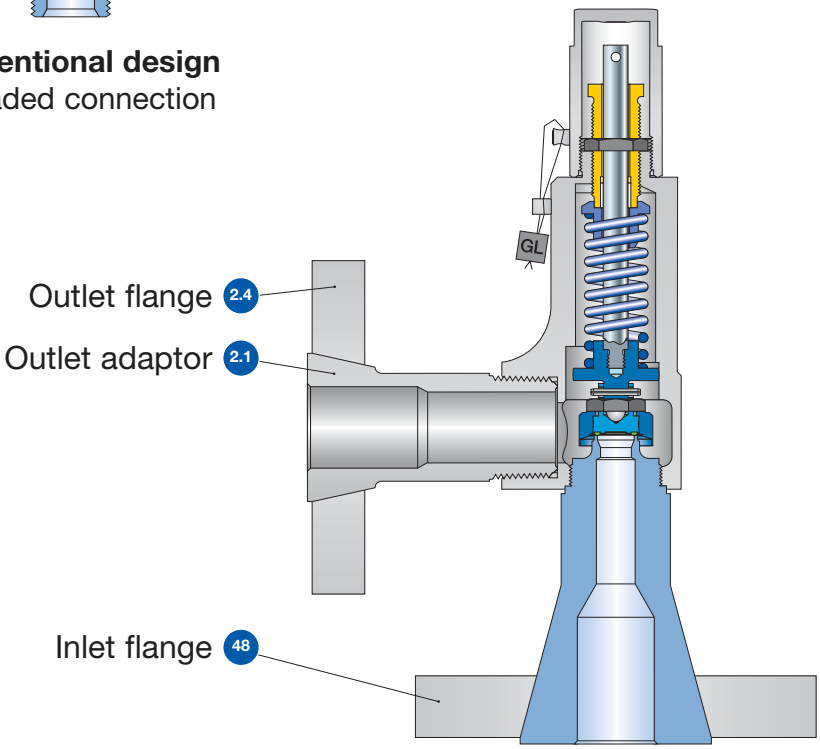


- 40 Cap H2
- 18 Adjusting screw with bushing
- 19 Lock nut
- 16 Spring plate
- 12 Spindle
- 54 Spring
- 2 Outlet body
- 17 Spring plate
- 57 Pin
- 61 Ball
- 7 Disc
- 1 Body

Conventional design
Threaded connection



Conventional design
Threaded connection



- Outlet flange 2.4
- Outlet adaptor 2.1
- Inlet flange 48

Conventional design
Flange connection

Type 439 Materials

Item	Component	Design	Type 4393	Type 4394
1	Base / Inlet body	Threaded connection	1.4104 ^{1) 3)} , 1.4404 SA 479 430 ^{1) 3)} , SA 479 316L	1.4404 SA 479 316L
		Flange connection	1.4404 SA 479 316L	1.4404 SA 479 316L
2	Outlet body		1.4104 ³⁾ SA 479 430 ³⁾	1.4404 SA 479 316L
2.1	Outlet adaptor	Flange connection	1.4404 316L	1.4404 316L
2.4	Outlet flange	Flange connection	1.4404 316L	1.4404 316L
7	Vulcanized soft seal disc		1.4404 SA 479 316L	1.4404 SA 479 316L
7.1	Disc with vulcanized soft seal	"N"	NBR Nitrile-Butadiene	NBR Nitrile-Butadiene
		"K"	CR Chloroprene	CR Chloroprene
		"D"	EPDM Ethylen-Propylene-Diene	EPDM Ethylen-Propylene-Diene
		"L"	FKM Fluorocarbon	FKM Fluorocarbon
		"C"	FFKM Perfluor	FFKM Perfluor
12	Spindle ²⁾		1.4021 420	1.4404 316L
16/17	Spring plate ²⁾		1.4104 Chrome steel	1.4404 316L
18	Adjusting screw with bushing		1.4104 / PTFE Chrome steel / PTFE	1.4404 / PTFE 316L / PTFE
19	Lock nut		1.0718 Steel	1.4404 316L
40	Cap H2		1.0460 SA 105	1.4404 316L
48	Inlet flange	Flange connection	1.4404 316L	1.4404 316L
54	Spring		1.4310 Stainless steel	1.4310 Stainless steel
57	Pin		1.4310 Stainless steel	1.4310 Stainless steel
61	Ball		1.3541 Hardened stainless steel	1.4401 316

Please notice:

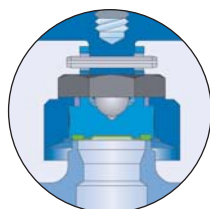
- Modifications reserved by LESER.
- LESER can upgrade materials without notice.
- Every part can be replaced by other material acc. to customer specification.
- The materials shall meet the requirements of the relevant regulations (Pressure Equipment Directive (PED), acc. to PED applied harmonized standards, AD 2000-Merkblätter, VdTÜV (Werkstoffblätter) as well as further materials listed in Section 8 of the Type-Examination.

¹⁾ Only for male thread DIN ISO 228-1 G3/8, G1/2, G3/4 (Option codes V49, V54, V55).

²⁾ The items 12 and 17 are combined to one unit.

³⁾ Material 1.4404/316L for ASME application (Option code N68 or N70)

Type 439
Article numbers



Vulcanized soft seat

Type 439

Actual Orifice diameter d_0 [mm]	10		
Actual Orifice area A_0 [mm ²]	78.5		
Actual Orifice diameter d_0 [inch]	0.394		
Actual Orifice area A_0 [inch ²]	0.122		
Soft seal material	NBR	"N"	J30
	CR	"K"	J21
	EPDM	"D"	J22
	FKM	"L"	J23
	FFKM	"C"	J20
Base / Inlet body material: 1.4104 (430)¹⁾			
H2	Art. No. 4393.²⁾	2882	
H3	Art. No. 4393.²⁾ $p_{max} = 10 \text{ bar}_g$	2883	
H4	Art. No. 4393.²⁾	2884	
p [bar _g]	S/G/L	0.1 – 16	
p [psig]	S/G/L	1.5 – 232	
Base / Inlet body material: 1.4404 (316L)			
H2	Art. No. 4394.	2892	
H4	Art. No. 4394.	2894	
p [bar _g]	S/G/L	0.1 – 16	
p [psig]	S/G/L	1.5 – 232	

¹⁾ Material 1.4404/316L for ASME application (Option code N68 or N70)

²⁾ Type 4393 should not be selected when a „stainless steel“ valve is required due to corrosive medium.

Type 439

Dimensions and weights

Threaded connections [Metric units]

		1/2"	3/4"	1"
Size Outlet body		1/2"	3/4"	1"
Actual Orifice diameter d ₀ [mm]		10	10	10
Actual Orifice area A ₀ [mm ²]		78.5	78.5	78.5
Weight	[kg]	1.2	1.6	1.6
Required installation diameter d	[mm]	65	80	80

Inlet thread female

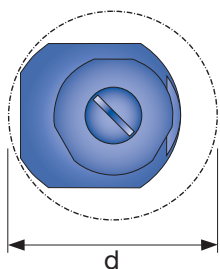
		1/2"	3/4"	1"
Size outlet body		1/2"	3/4"	1"
Center to face [mm]				
DIN ISO 228-1	G	Inlet 1/2" a	46	46
ISO 7-1/BS 21	Rc			49
ASME B1.20.1	NPT	Inlet 3/4", 1" a	56	56
		Outlet b	30	37
Height [mm]				
		Inlet 1/2" H max.	209	209
		Inlet 3/4", 1" H max.	219	219

Inlet thread male

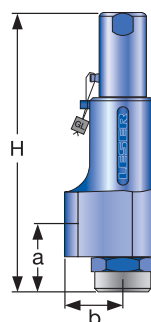
		1/2"	3/4"	1"
Size outlet body		1/2"	3/4"	1"
Center to face [mm]				
DIN ISO 228-1	G	Inlet a	33	33
		Outlet b	30	37
ISO 7-1/BS 21	R	Inlet a	31	31
ASME B1.20.1	NPT			34
		Outlet b	30	37

Height [mm]						
		Size inlet thread	3/8"	1/2"	3/4"	1"
DIN ISO 228-1	G	H max.	208	210	212	217
ISO 7-1/BS 21	R	H max.	–	213	214	220
ASME B1.20.1	NPT	H max.	–	216	216	224

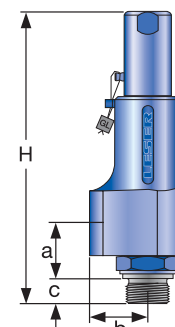
Length of screwed end c [mm]						
		Size inlet thread	3/8"	1/2"	3/4"	1"
DIN ISO 228-1	G		12	14	16	18
ISO 7-1/BS 21	R		–	19	20	23
ASME B1.20.1	NPT		–	22	22	27



Required installation diameter



Conventional design – Female thread



Conventional design – Male thread

Type 439

Dimensions and weights

Threaded connections [US units]

Size Outlet body		1/2"	3/4"	1"
Actual Orifice diameter d ₀ [inch]		0.394	0.394	0.394
Actual Orifice area A ₀ [inch ²]		0.122	0.122	0.122
Weight	[lbs]	2.6	3.5	3.5
Required installation diameter d	[inch]	2 ⁹ / ₁₆	3 ⁵ / ₃₂	3 ⁵ / ₃₂

Inlet thread female

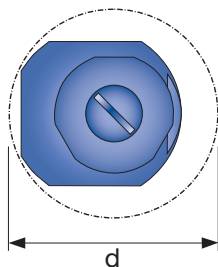
Size outlet body		1/2"	3/4"	1"	
Center to face [inch]					
DIN ISO 228-1	G	Inlet 1/2" a	1 ¹³ / ₁₆	1 ¹³ / ₁₆	1 ¹⁵ / ₁₆
ISO 7-1/BS 21	Rc				
ASME B1.20.1	NPT	Inlet 3/4", 1" a	2 ⁷ / ₃₂	2 ⁷ / ₃₂	2 ⁵ / ₁₆
		Outlet b	1 ³ / ₁₆	1 ¹⁵ / ₃₂	1 ¹⁵ / ₃₂
Height [inch]					
		Inlet 1/2" H max.	8 ⁷ / ₃₂	8 ⁷ / ₃₂	8 ¹¹ / ₃₂
		Inlet 3/4", 1" H max.	8 ⁵ / ₈	8 ⁵ / ₈	8 ³ / ₄

Inlet thread male

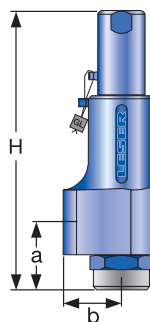
Size outlet body		1/2"	3/4"	1"	
Center to face [inch]					
DIN ISO 228-1	G	Inlet a	1 ⁵ / ₁₆	1 ⁵ / ₁₆	1 ¹³ / ₃₂
		Outlet b	1 ³ / ₁₆	1 ¹⁵ / ₃₂	1 ¹⁵ / ₃₂
ISO 7-1/BS 21	R	Inlet a	1 ⁷ / ₃₂	1 ⁷ / ₃₂	1 ¹¹ / ₃₂
ASME B1.20.1	NPT	Outlet b	1 ³ / ₁₆	1 ¹⁵ / ₃₂	1 ¹⁵ / ₃₂

Height [inch]						
		Size inlet thread	3/8"	1/2"	3/4"	1"
DIN ISO 228-1	G	H max.	8 ³ / ₁₆	8 ¹ / ₄	8 ¹¹ / ₃₂	8 ¹⁷ / ₃₂
ISO 7-1/BS 21	R	H max.	–	8 ³ / ₈	8 ¹³ / ₃₂	8 ²¹ / ₃₂
ASME B1.20.1	NPT	H max.	–	8 ¹ / ₂	8 ¹ / ₂	8 ¹³ / ₁₆

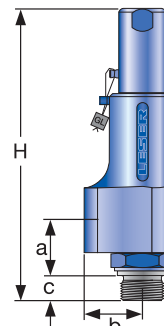
Length of screwed end c [inch]						
		Size inlet thread	3/8"	1/2"	3/4"	1"
DIN ISO 228-1	G		1 ⁵ / ₃₂	9/16	5/8	2 ³ / ₃₂
ISO 7-1/BS 21	R		–	3/4	2 ⁵ / ₃₂	2 ⁹ / ₃₂
ASME B1.20.1	NPT		–	7/8	7/8	1 ¹ / ₁₆



Required installation diameter



Conventional design – Female thread



Conventional design – Male thread

Type 439

Dimensions and weights

Flanged connections [Metric units]

Actual Orifice diameter d_0 [mm]	10
Actual Orifice area A_0 [mm ²]	78.5

DIN EN 1092-1

			Flange rating PN 40
Center to face	[mm]	Inlet a	103
		Outlet b	100
Height	[mm]	H max.	263

			Flange rating \geq PN 160
Center to face	[mm]	Inlet a	103
		Outlet b	100
Height	[mm]	H max.	266

ASME B 16.5

			Flange rating class 150
Center to face	[mm]	Inlet a	103
		Outlet b	100
Height	[mm]	H max.	263

			Flange rating class \geq 300
Center to face	[mm]	Inlet a	103
		Outlet b	100
Height	[mm]	H max.	266

Note The outlet dimension b can differ at special combinations of nominal diameter and pressure range if flanged connections are used at the inlet and outlet. Special dimensions are possible. More information at sales@leser.com.

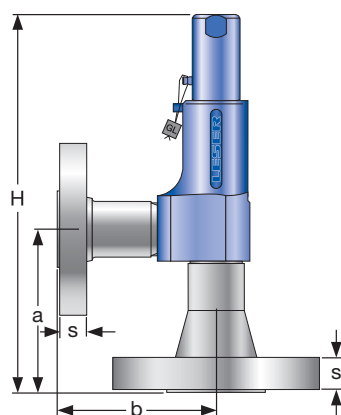
Weight

To calculate the total weight use the formula: $m_T = m_N + m_F(\text{Inlet}) + m_F(\text{Outlet})$

Weight net [kg]		2.4
(without inlet and outlet flange)	m_N	

Flange dimensions

		DIN EN 1092-1 / Flange rating PN						ASME B16.5 / Flange rating							
		Size	40	100	160	250	320	400	Size	150	300	600	900	1500	2500
DN 15									NPS 1/2"						
Flange thickness [mm]	s		18	-	22	28	28	30		14	18	18	26	26	30.2
Weight slip on flange [kg]	m_F		0.8	-	1.2	2.5	2.5	3.6		0.6	0.9	0.9	2.1	2.1	3
DN 20									NPS 3/4"						
Flange thickness [mm]	s		20	22	-	-	-	-		15	18	18	25.4	25.4	32
Weight slip on flange [kg]	m_F		1.1	1.3	-	-	-	-		0.8	1.4	1.4	2.3	2.3	3.5
DN 25									NPS 1"						
Flange thickness [mm]	s		22	-	26	30	36	40		17	21.5	21.5	32.5	32.5	40
Weight slip on flange [kg]	m_F		1.3	-	2.6	3.5	5	7.5		1	2.1	2.1	4.1	4.1	5.1



Conventional design

Type 439

Dimensions and weights

Flanged connections [US units]

Actual Orifice diameter d_0 [inch]	0.394
Actual Orifice area A_0 [inch ²]	0.122

DIN ISO 1092-1

			Flange rating PN 40
Center to face	[inch]	Inlet a	$4\frac{1}{16}$
		Outlet b	$3\frac{15}{16}$
Height	[inch]	H max.	$10\frac{11}{32}$

			Flange rating \geq PN 160
Center to face	[inch]	Inlet a	$4\frac{1}{16}$
		Outlet b	$3\frac{15}{16}$
Height	[inch]	H max.	$10\frac{15}{32}$

ASME B 16.5

			Flange rating class 150
Center to face	[inch]	Inlet a	$4\frac{1}{16}$
		Outlet b	$3\frac{15}{16}$
Height	[inch]	H max.	$10\frac{11}{32}$

			Flange rating class \geq 300
Center to face	[inch]	Inlet a	$4\frac{1}{16}$
		Outlet b	$3\frac{15}{16}$
Height	[inch]	H max.	$10\frac{15}{32}$

Note The outlet dimension b can differ at special combinations of nominal diameter and pressure range if flanged connections are used at the inlet and outlet. Special dimensions are possible. More information at sales@leser.com.

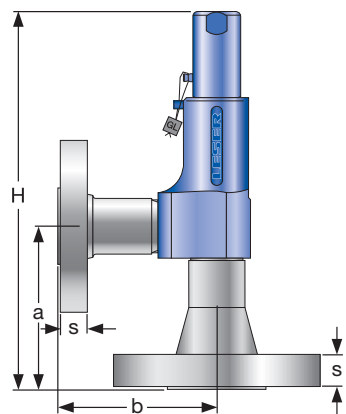
Weight

To calculate the total weight use the formula: $m_T = m_N + m_F$ (Inlet) + m_F (Outlet)

Weight net	[lbs]	m_N	5.3
(without inlet and outlet flange)			

Flange dimensions

		DIN ISO 1092-1 / Flange rating PN						ASME B16.5 / Flange rating						
		40	100	160	250	320	400	Size	150	300	600	900	1500	2500
DN 15								NPS $\frac{1}{2}$"						
Flange thickness	[inch] s	$\frac{23}{32}$	-	$\frac{7}{8}$	$1\frac{3}{32}$	$1\frac{3}{32}$	$1\frac{3}{16}$		$\frac{9}{16}$	$\frac{23}{32}$	$\frac{23}{32}$	$1\frac{1}{32}$	$1\frac{1}{32}$	$1\frac{3}{16}$
Weight slip on flange	[lbs] m_F	1.8	-	2.6	5.5	5.5	8.0		1.3	2.0	2.0	4.6	4.6	6.6
DN 20								NPS $\frac{3}{4}$"						
Flange thickness	[inch] s	$\frac{25}{32}$	$\frac{7}{8}$	-	-	-	-		$\frac{19}{32}$	$\frac{23}{32}$	$\frac{23}{32}$	1	1	$1\frac{1}{4}$
Weight slip on flange	[lbs] m_F	2.4	2.9	-	-	-	-		1.8	3.1	3.1	5.0	5.0	7.7
DN 25								NPS 1"						
Flange thickness	[inch] s	$\frac{7}{8}$	-	$1\frac{1}{32}$	$1\frac{3}{16}$	$1\frac{13}{32}$	$1\frac{9}{16}$		$\frac{21}{32}$	$\frac{27}{32}$	$\frac{27}{32}$	$1\frac{9}{32}$	$1\frac{9}{32}$	$1\frac{9}{16}$
Weight slip on flange	[lbs] m_F	2.9	-	5.7	7.7	11.0	16.5		2.2	4.6	4.6	9.0	9.0	11.2



Conventional design

Type 439

Pressure/temperature ratings

[Metric units + US units]

Metric units

Actual Orifice diameter d_0 [mm]		10			
Actual Orifice Area A_0 [mm ²]		78.5			
Body material: 1.4104 (430)					
Base / Inlet Body	Connection size	$\frac{3}{8}$ "	$\frac{1}{2}$ "	$\frac{3}{4}$ "	1"
	Pressure rating	PN 250			
Outlet body	Pressure rating	PN 160			
Minimum set pressure	p [bar _g] S/G/L	0.1			
Maximum set pressure	p [bar _g] S/G/L	16			
Temperature acc. to DIN EN	min. [°C]	-10			
	max. [°C]	+150			
Temperature acc. to ASME	min. [°C]	-29			
	max. [°C]	+150			
Body material: 1.4404 (316L)					
Base / Inlet Body	Connection size	$\frac{3}{8}$ "	$\frac{1}{2}$ "	$\frac{3}{4}$ "	1"
	Pressure rating	PN 250			
Outlet body	Pressure rating	PN 160			
Minimum set pressure	p [bar _g] S/G/L	0.1			
Maximum set pressure	p [bar _g] S/G/L	16			
Temperature acc. to DIN EN	min. [°C]	-45			
	max. [°C]	+150			
Temperature acc. to ASME	min. [°C]	-45			
	max. [°C]	+150			

US units

Actual Orifice diameter d_0 [inch]		0.394				
Actual Orifice area A_0 [inch ²]		0.122				
Body material: 1.4104 (430)						
Base / Inlet Body	Connection size	$\frac{3}{8}$ "	$\frac{1}{2}$ "	$\frac{3}{4}$ "	1"	
	Minimum set pressure	p [psig] S/G/L	1.5			
	Maximum set pressure	p [psig] S/G/L	232			
Temperature acc. to DIN EN	min [°F]	+14				
	max [°F]	+302				
Temperature acc. to ASME	min [°F]	-20				
	max [°F]	+302				
Body material: 1.4404 (316L)						
Base / Inlet Body	Connection size	$\frac{3}{8}$ "	$\frac{1}{2}$ "	$\frac{3}{4}$ "	1"	
	Minimum set pressure	p [psig] S/G/L	1.5			
	Maximum set pressure	p [psig] S/G/L	232			
Temperature acc. to DIN EN	min [°F]	-49				
	max [°F]	+302				
Temperature acc. to ASME	min [°F]	-49				
	max [°F]	+302				

Type 439 Approvals

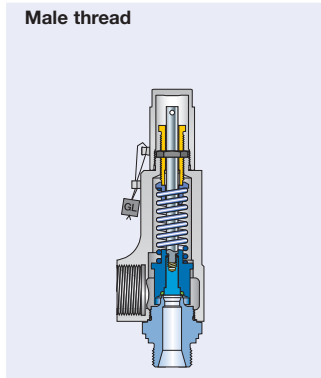
Actual Orifice diameter d_0 [mm]		10
Actual Orifice area A_0 [mm ²]		78.5
Actual Orifice diameter d_0 [inch]		0.394
Actual Orifice area A_0 [inch ²]		0.122
Europa		Coefficient of discharge K_{dr}
	Approval No.	072020111Z0008/0/21
PED / DIN EN ISO 4126-1	S/G	0.45
	L	0.37
Germany		Coefficient of discharge α_w
	Approval No.	TÜV SV 980
PED / AD 2000-Merkblatt A2	S/G	0.45
	L	0.37
United States		Coefficient of discharge K
	Approval No.	M 37190
ASME Sec. VIII Div. 1	S/G	0.406
	Approval No.	M 37202
	L	0.322
Canada		Coefficient of discharge K
	Approval No.	The current approval no. can be found at www.leser.com
CRN	S/G	0.406
	L	0.322
China		Coefficient of discharge α_w
	Approval No.	The current approval no. can be found at www.leser.com
AQSIQ	S/G	0.45
	L	0.37
Eurasian Custom Union		Coefficient of discharge α_w
	Approval No.	The current approval no. can be found at www.leser.com
EAC	S/G	0.45
	L	0.37
Classification societies		Homepage
Bureau Veritas	BV	www.bureauveritas.com
DNV GL		www.dnvgl.com
Lloyd' s Register EMEA	LREMEA	www.lr.org
Registro Italiano Navale	RINA	www.rina.org
U.S. Coast Guard	U.S.C.G	www.uscg.org
		The valid certification number is changed with every renewal.
		A sample certificate including the valid certification number can be found at www.leser.com

Rated slope

Within the capacity certification according to ASME Sec. VIII Div. 1 the coefficients of discharge for Series 437 are issued as "rated slope values" instead of K values. Rated slope values can be converted into K values. The table above shows the converted K values. The original rated slope values are listed below.

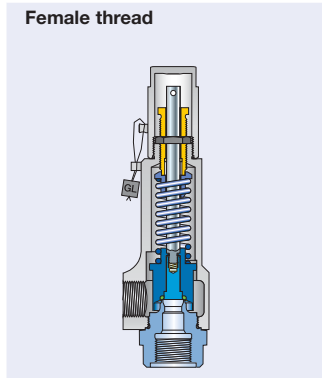
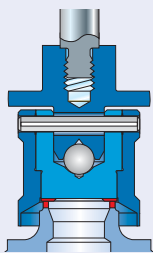
Fluid	Rated slope Type 439
S	2.55 lb / hr / PSIA
G	0.904 SCFM / PSIA
L	1.49 GPM $\sqrt{\text{PSID}}$

Series 437 Available options



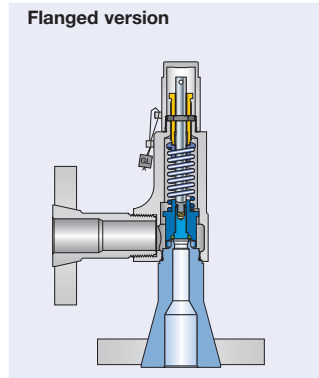
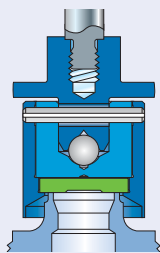
Type 437

Stellited sealing surface
J25: Disc stellited
L20: Base/inlet body



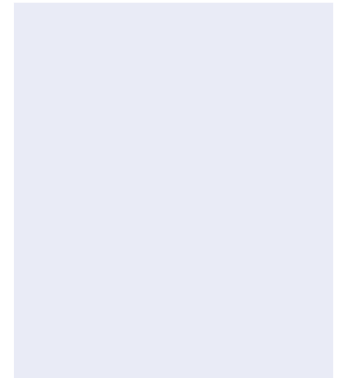
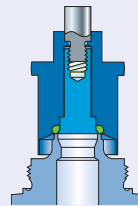
Type 437

Disc with inserted sealing plate
J44: PTFE-FDA "A"
J48: PCTFE "G"
J49: VESPEL-SP1 "T"



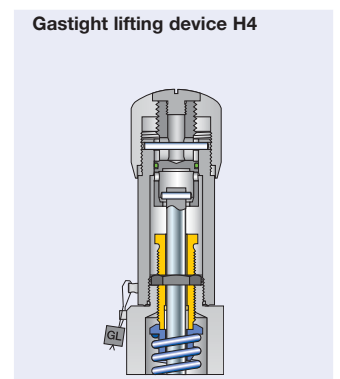
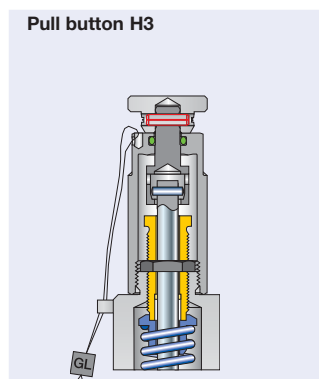
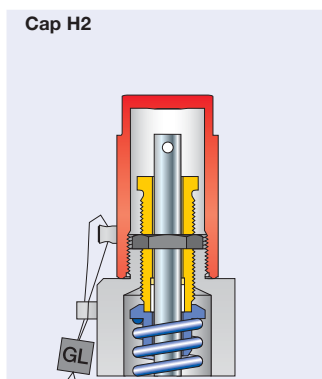
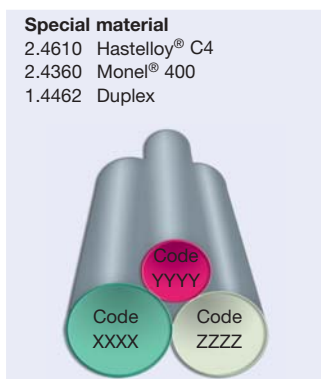
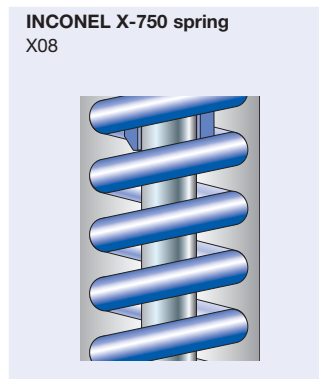
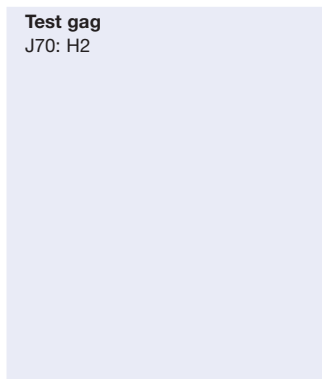
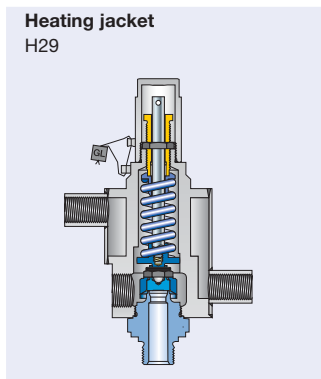
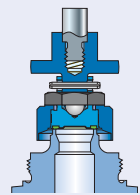
Type 438

Soft seal o-ring disc
J30: NBR "N"
J21: CR "K"
J22: EPDM "D"
J23: FKM "L"
J20: FFKM "C"

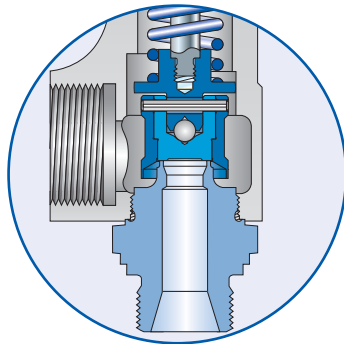


Type 439

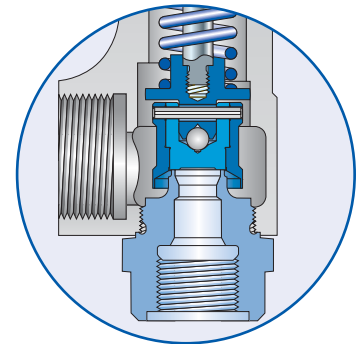
Vulcanized soft seal disc
J30: NBR "N"
J21: CR "K"
J22: EPDM "D"
J23: FKM "L"
J20: FFKM "C"



Series 437
Available connections



Male thread



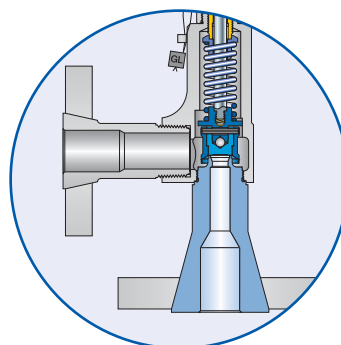
Female thread

Threaded connections

	Valve size	d ₀ 6 mm		d ₀ 10 mm	
		Inlet	Outlet	Inlet	Outlet
		Option code	Option code	Option code	Option code
Male thread DIN ISO 228-1					
G	3/8"	V49	-	V49	-
	1/2"	V54	-	V54	-
	3/4"	V55	-	V55	-
	1"	V56	-	V56	-
Female thread DIN ISO 228-1					
G	1/2"	V50	V65	V50	V65
	3/4"	V51	V76	V51	V76
	1"	V52	V66	V52	V66
Male thread ISO 7- 1 / BS 21					
R/BSPT	1/2"	V30	-	V30	-
	3/4"	V31	-	V31	-
	1"	V32	-	V32	-
Female thread ISO 7- 1 / BS 21					
Rc/BSPT	1/2"	V38	V34	V38	V34
	3/4"	V39	V35	V39	V35
	1"	V40	V36	V40	V36
Male thread ANSI / ASME B1.20.1					
NPT	1/2"	V61	-	V61	-
	3/4"	V62	-	V62	-
	1"	V63	-	V63	-
Female thread ANSI / ASME B1.20.1					
NPT	1/2"	V58	V70	V58	V70
	3/4"	V59	V77	V59	V77
	1"	V60	V71	V60	V71

Flanged and threaded connections can be combined.
 Threads according to other standards are available.
 Please specify in writing (diameter, pressure rating, standard).

Series 437 Available connections



Flanged version

Flanged connections

Nominal diameter	Pressure rating	d ₀ 6 mm		d ₀ 10 mm	
DIN EN 1092-1					
		Option code		Option code	
DN	PN	Inlet	Outlet	Inlet	Outlet
15	40		I40	I21	I40
	160		I41	I22	I41
	250	I23	I42	I23	I42
	320	I24	–	I24	–
	400	I25	–	I25	–
20	40	I26	I43	I26	I43
	100	I27	I44	I27	I44
25	40		I46	I31	I46
	160		I47	I32	I47
	250	I33	I48	I33	I48
	320	I34	–	I34	–
	400	I35	–	I35	–
ANSI/ASME B16.5					
		Option code		Option code	
NPS	CL	Inlet	Outlet	Inlet	Outlet
1/2"	150		V24	V01	V24
	300		V13	V02	V13
	600		V13	V02	V13
	900	V03	V14	V03	V14
	1500	V03	–	V03	–
	2500	V04	–	V04	–
3/4"	150		V15	V05	V15
	300		V16	V06	V16
	600		V16	V06	V16
	900	V07	V17	V07	V17
	1500	V07	–	V07	–
	2500	V08	–	V08	–
1"	150		V18	V09	V18
	300		V19	V10	V19
	600		V19	V10	V19
	900	V11	V20	V11	V20
	1500	V11	–	V11	–
	2500	V12	–	V12	–

Flanged and threaded connections can be combined.
Threads according to other standards are available.
Please specify in writing (diameter, pressure rating, standard).

Type 459
Plain lever H3



Type 459
Safety Relief Valves

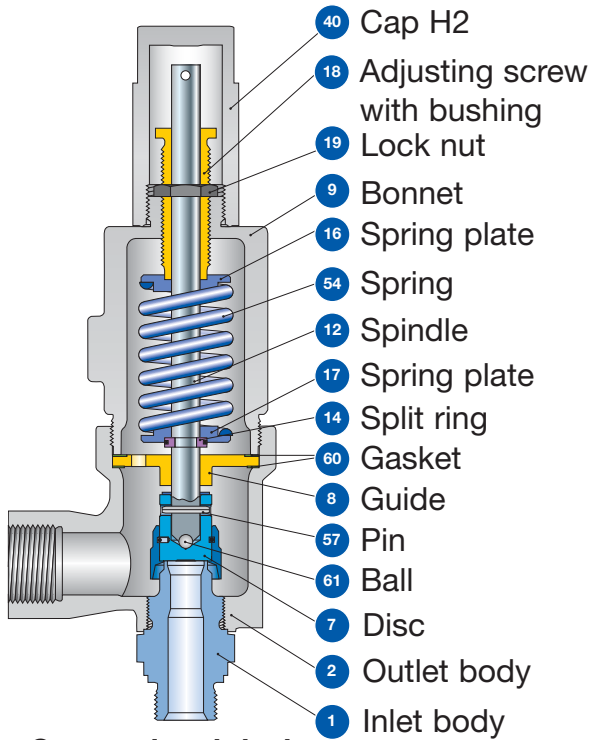
Contents	Page
Designs	42
Materials	43
Article numbers	44
Dimensions and weights	
• Threaded connections	45
• Flanged connections	47
Pressure / temperature ratings	49
Approvals	51

Type 459

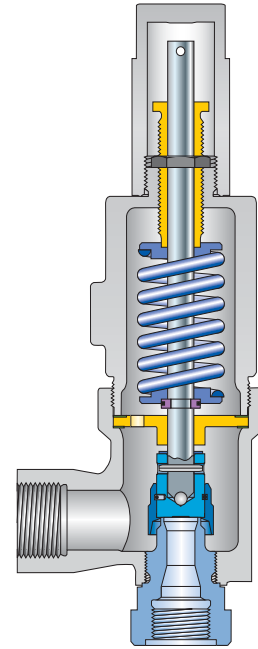
Type 459
Cap H2



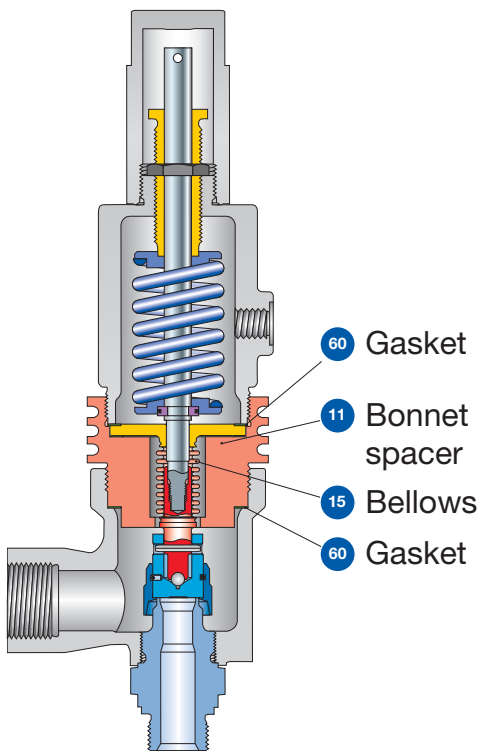
Type 459
Designs



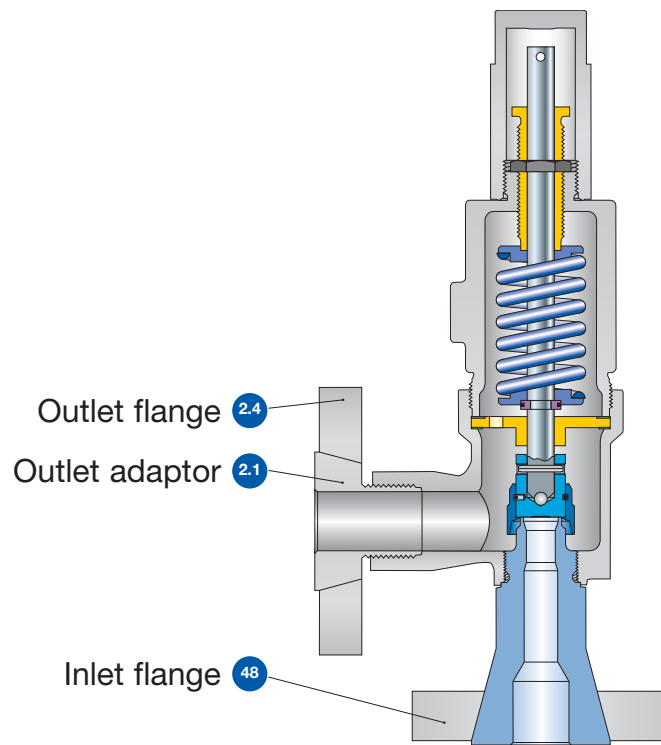
Conventional design
Threaded connection



Conventional design
Threaded connection



Balanced bellows
Threaded connection



Conventional design
Flange connection

Type 459 Materials

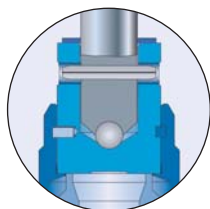
Item	Component	Design	Type 4593	Type 4592	Type 4594
1	Base / Inlet body	Threaded connection	1.4104 ¹⁾ , 1.4404 SA 479 430 ¹⁾ , SA 479 316L	1.4404 SA 479 316L	1.4404 SA 479 316L
		Flange connection	1.4404 SA 479 316L	1.4404 SA 479 316L	1.4404 SA 479 316L
2	Outlet body		1.0619 WCB	1.0619 WCB	1.4408 CF8M
2.1	Outlet adaptor	Flange connection	1.4404 316L	1.4404 316L	1.4404 316L
2.4	Outlet flange	Flange connection	1.4404 316L	1.4404 316L	1.4404 316L
7	Disc	Metal seat	1.4122 Hardened stainless steel	1.4122 Hardened stainless steel	1.4404 316L
			1.4104 tenifer Chrome steel tenifer	1.4104 tenifer Chrome steel tenifer	1.4404 316L
8	Guide	Balanced bellows design	1.4404 / SA 316L Upper conn. part of balanced bellows	1.4404 / SA 316L Upper conn. part of balanced bellows	1.4404 / SA 316L Upper conn. part of balanced bellows
			0.7043 Ductile Gr. 60-40-18	1.0619 WCB	1.4408 CF8M
9	Bonnet	Balanced bellows design	1.0619 WCB	1.0619 WCB	1.4408 CF8M
			1.0460 Carbon steel	1.0460 Carbon steel	1.4404 316L
11	Bonnet spacer	Balanced bellows design	1.4021 420	1.4021 420	1.4404 316L
12	Spindle	Balanced bellows design	1.4404 316L	1.4404 316L	1.4404 316L
			1.4104 Chrome steel	1.4104 Chrome steel	1.4404 316L
15	Bellows	Balanced bellows design	1.4571 SA 316Ti	1.4571 316Ti	1.4571 316Ti
			1.0718 Steel	1.0718 Steel	1.4404 316L
18	Adjusting screw with bushung		1.4104 Chrome steel	1.4104 Chrome steel	1.4404 316L
			PTFE PTFE	PTFE PTFE	PTFE PTFE
19	Lock nut		1.4104 Chrome steel	1.4104 Chrome steel	1.4404 316L
40	Cap H2		1.0460 SA 105	1.0460 SA 105	1.4404 316L
			1.4404 316L	1.4404 316L	1.4404 316L
54	Spring	Standard	1.1200 / 1.8159 / 1.7107 Carbon steel	1.1200 / 1.8159 / 1.7107 Carbon steel	1.4310 Stainless steel
		Optional	1.4310 Stainless steel	1.4310 Stainless steel	- -
57	Pin		1.4310 Stainless steel	1.4310 Stainless steel	1.4310 Stainless steel
			Graphite / 1.4401 Graphite / 316	Graphite / 1.4401 Graphite / 316	Graphite / 1.4401 Graphite / 316
60	Gasket		1.3541 Hardened stainless steel	1.3541 Hardened stainless steel	1.4401 316

Please notice:

- Modifications reserved by LESER.
- LESER can upgrade materials without notice.
- Every part can be replaced by other material acc. to customer specification.

¹⁾ only valid for male thread DIN ISO 228-1 G $\frac{3}{4}$, G1, G1 $\frac{1}{2}$ (Option codes V55, V56, V57) (please note availability regarding d₀)

Type 459 Article numbers



Metal seat

	Actual Orifice diameter d_0 [mm]		9	13	17.5
	Actual Orifice area A_0 [mm ²]		63.6	133	241
	Actual Orifice diameter d_0 [inch]		0.354	0.512	0.689
	Actual Orifice area A_0 [inch ²]		0.099	0.206	0.374
Outlet body casted					
Inlet body	1.4104	H2	Art. No. 4593.	2502	2512
Outlet body	1.0619	H3	Art. No. 4593.	2503	2513
	WCB				
Bonnet	0.7043	H4	Art. No. 4593.	2504	2514
	p [bar _g]			1.5 – 250¹⁾	0.2 – 200¹⁾
	p [psig]	S/G/L		21.7 – 3625¹⁾	2.9 – 2900¹⁾
Outlet body investment casted					
Inlet body	1.4404	H2	Art. No. 4592.	2472	2482
Outlet body	1.0619	H3	Art. No. 4592.	2473	2483
	WCB				
Bonnet	1.0619	H4	Art. No. 4592.	2474	2484
	p [bar _g]			1.5 – 250	0.2 – 200
	p [psig]	S/G/L		21.7 – 3625	2.9 – 2900
Outlet body investment casted					
Inlet body	1.4404	H2	Art. No. 4594.	2162	2172
Outlet body	1.4408				
	(CF8M)				
Bonnet	1.4408	H4	Art. No. 4594.	2164	2174
	p [bar _g]			1.5 – 250	0.2 – 200
	p [psig]	S/G/L		21.7 – 3625	2.9 – 2900

¹⁾ Max. set pressure 69 bar / 1000 psig for Type 4593 acc. to ASME-Code Sec. VIII, Div. 1 with UV-Stamp.
The design of Type 4593 is permitted with limitations acc. to ASME-Code Sec. VIII, Div. 1, UCD-2, UCD-3.
Type 4593 shall not be used for lethal substances, irrespective of their state of aggregation.

Type 459

Dimensions and weights

Threaded connections [Metric units]

	Size Outlet body	1/2" x 1"	3/4" x 1"	1" x 1"	1/2" x 1"	3/4" x 1"	1" x 1"	3/4" x 1 1/2"	1" x 1 1/2"	1 1/4" x 1 1/2"	1 1/2" x 1 1/2"
Actual Orifice diameter d ₀ [mm]		9	9	9	13	13	13	17.5	17.5	17.5	17.5
Actual Orifice area A ₀ [mm ²]		63.6	63.6	63.6	133	133	133	241	241	241	241
Weight [kg]		3.1	3.1	3.1	3.1	3.1	3.1	3.9	3.9	3.9	3.9
Balanced bellows [kg]		3.9	3.9	3.9	3.9	3.9	4.7	4.7	4.7	4.7	4.7
Required installation diameter d [mm]		165	165	165	165	165	165	165	165	165	165

Inlet thread female

	Size outlet body	1/2" x 1"	3/4" x 1"	1" x 1"	1/2" x 1"	3/4" x 1"	1" x 1"	3/4" x 1 1/2"	1" x 1 1/2"	1 1/4" x 1 1/2"	1 1/2" x 1 1/2"
Actual Orifice diameter d ₀ [mm]		9	9	9	13	13	13	17.5	17.5	17.5	17.5
Center to face / Height											
DIN ISO 228-1 G	Inlet a	53	56	62	53	56	62	60	66	67	73
ASME B1.20.1 NPT	Outlet b	75	75	75	75	75	75	75	75	75	75
Center to face [mm]	H max	283	286	292	283	286	292	287	293	294	300
Height [mm]	Balanced bellows H max	315	318	324	315	318	324	319	325	326	332
ISO 7-1/BS 21 Rc	Inlet a	53	56	64	53	56	64	60	68	-	77
Center to face [mm]	Outlet b	75	75	75	75	75	75	75	75	-	75
Height [mm]	H max	283	286	294	283	286	294	287	295	-	304
	Balanced bellows H max	315	318	326	315	318	326	319	327	-	336

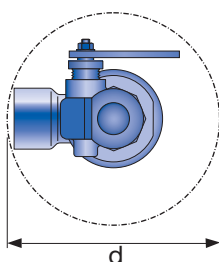
Inlet thread male

	Size outlet body	1" - 1 1/2"	1" - 1 1/2"	1 1/2"	2"
Actual Orifice diameter d ₀ [mm]		9	13	17.5	17.5
Center to face [mm]					
DIN ISO 228-1 G	Inlet 1/2" - 1" a	52	52	-	-
	Inlet 1" - 1 1/2" a	-	-	56	-
	Outlet b	75	75	75	-
ISO 7-1/BS 21 R	Inlet 1/2" - 1" a	49	49	-	-
ASME B1.20.1 NPT	Inlet 1" - 2" a ¹⁾	-	-	53	53
	Outlet b	75	75	75	100

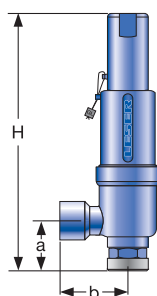
		Conventional design						Balanced bellows					
Size inlet thread		1/2"	3/4"	1"	1 1/4"	1 1/2"	2"	1/2"	3/4"	1"	1 1/4"	1 1/2"	2"
DIN ISO 228-1 G	H max.	296	298	301	303	305	-	328	330	333	335	337	-
ISO 7-1/BS 21 R	H max.	298	299	303	-	305	-	330	331	335	-	337	-
ASME B1.20.1 NPT	H max.	301	301	307	308	308	309	333	333	339	340	340	341

Length of screwed end c [mm]		1/2"	3/4"	1"	1 1/4"	1 1/2"	2"
DIN ISO 228-1 G		14	16	18	20	22	-
ISO 7-1/BS 21 R		19	20	23	-	25	-
ASME B1.20.1 NPT		22	22	27	28	28	29

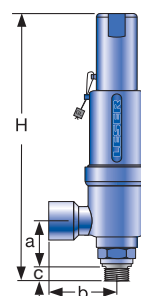
¹⁾ Inlet thread R only up to 1 1/2".



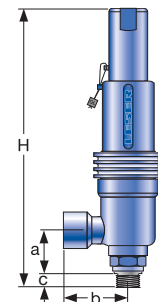
Required installation diameter



Conventional design - female thread



Conventional design - male thread



Balanced bellows

Type 459

Dimensions and weights

Threaded connections [US units]

Size Outlet body		1/2" x 1"	3/4" x 1"	1" x 1"	1/2" x 1"	3/4" x 1"	1" x 1"	3/4" x 1 1/2"	1" x 1 1/2"	1 1/4" x 1 1/2"	1 1/2" x 1 1/2"
Actual Orifice diameter d ₀ [inch]		0.354	0.354	0.354	0.512	0.512	0.512	0.689	0.689	0.689	0.689
Actual Orifice area A ₀ [inch ²]		0.099	0.099	0.099	0.206	0.206	0.206	0.374	0.374	0.374	0.374
Weight [lbs]		6.8	6.8	6.8	6.8	6.8	6.8	8.6	8.6	8.6	8.6
Balanced bellows [lbs]		8.6	8.6	8.6	8.6	8.6	8.6	10.4	10.4	10.4	10.4
Required installation diameter d [inch]		6 1/2	6 1/2	6 1/2	6 1/2	6 1/2	6 1/2	6 1/2	6 1/2	6 1/2	6 1/2

Inlet thread female

Size outlet body		1/2" x 1"	3/4" x 1"	1" x 1"	1/2" x 1"	3/4" x 1"	1" x 1"	3/4" x 1 1/2"	1" x 1 1/2"	1 1/4" x 1 1/2"	1 1/2" x 1 1/2"
Actual Orifice diameter d ₀ [inch]		0.354	0.354	0.354	0.512	0.512	0.512	0.689	0.689	0.689	0.689
Center to face / Height											
DIN ISO 228-1 G	Inlet a	2 ³ / ₃₂	2 ⁷ / ₃₂	2 ⁷ / ₁₆	2 ³ / ₃₂	2 ⁷ / ₃₂	2 ⁷ / ₁₆	2 ³ / ₈	2 ¹⁹ / ₃₂	2 ⁵ / ₈	2 ⁷ / ₈
ASME B1.20.1 NPT	Outlet b	2 ¹⁵ / ₁₆	2 ¹⁵ / ₁₆	2 ¹⁵ / ₁₆	2 ¹⁵ / ₁₆	2 ¹⁵ / ₁₆	2 ¹⁵ / ₁₆	2 ¹⁵ / ₁₆	2 ¹⁵ / ₁₆	2 ¹⁵ / ₁₆	2 ¹⁵ / ₁₆
Center to face [inch]	H max.	11 ⁵ / ₃₂	11 ¹ / ₁₄	11 ¹ / ₂	11 ⁵ / ₃₂	11 ¹ / ₁₄	11 ¹ / ₂	11 ⁵ / ₁₆	11 ¹⁷ / ₃₂	11 ⁹ / ₁₆	11 ¹³ / ₁₆
Height [inch]	Balanced bellows H max.	12 ¹³ / ₃₂	12 ¹⁷ / ₃₂	12 ³ / ₄	12 ¹³ / ₃₂	12 ¹⁷ / ₃₂	12 ³ / ₄	12 ⁹ / ₁₆	12 ²⁵ / ₃₂	12 ²⁷ / ₃₂	13 ¹ / ₁₆
ISO 7-1/BS 21 Rc	Inlet a	2 ³ / ₃₂	2 ⁷ / ₃₂	2 ¹⁷ / ₃₂	2 ³ / ₃₂	2 ⁷ / ₃₂	2 ¹⁷ / ₃₂	2 ³ / ₈	2 ¹ / ₁₆	–	3 ¹ / ₃₂
Center to face [inch]	Outlet b	2 ¹⁵ / ₁₆	2 ¹⁵ / ₁₆	2 ¹⁵ / ₁₆	2 ¹⁵ / ₁₆	2 ¹⁵ / ₁₆	2 ¹⁵ / ₁₆	2 ¹⁵ / ₁₆	2 ¹⁵ / ₁₆	–	2 ¹⁵ / ₁₆
Height [inch]	H max.	11 ⁵ / ₃₂	11 ¹ / ₁₄	11 ⁹ / ₁₆	11 ⁵ / ₃₂	11 ¹ / ₁₄	11 ⁹ / ₁₆	11 ⁵ / ₁₆	11 ⁵ / ₈	–	11 ³¹ / ₃₂
	Balanced bellows H max.	12 ¹³ / ₃₂	12 ¹⁷ / ₃₂	12 ²⁷ / ₃₂	12 ¹³ / ₃₂	12 ¹⁷ / ₃₂	12 ²⁷ / ₃₂	12 ⁹ / ₁₆	12 ⁷ / ₈	–	13 ⁷ / ₃₂

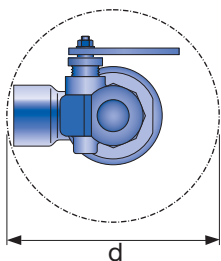
Inlet thread male

Size outlet body		1" – 1 1/2"	1" – 1 1/2"	1 1/2"	2"
Actual Orifice diameter d ₀ [mm]		0.354	0.512	0.689	0.689
Center to face [inch]					
DIN ISO 228-1 G	Inlet 1/2" – 1" a	2 ¹ / ₁₆	2 ¹ / ₁₆	–	–
	Inlet 1" – 1 1/2" a	–	–	2 ⁷ / ₃₂	–
	Outlet b	2 ¹⁵ / ₁₆	2 ¹⁵ / ₁₆	2 ¹⁵ / ₁₆	–
ISO 7-1/BS 21 R	Inlet 1/2" – 1" a	1 ¹⁵ / ₁₆	1 ¹⁵ / ₁₆	–	–
ASME B1.20.1 NPT	Inlet 1" – 2" a¹⁾	–	–	2 ³ / ₃₂	2 ³ / ₃₂
	Outlet b	2 ¹⁵ / ₁₆	2 ¹⁵ / ₁₆	2 ¹⁵ / ₁₆	4

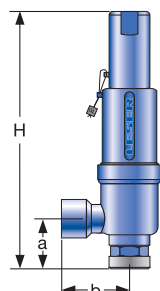
Height [inch]		Conventional design						Balanced bellows					
Size inlet thread		1/2"	3/4"	1"	1 1/4"	1 1/2"	2"	1/2"	3/4"	1"	1 1/4"	1 1/2"	2"
DIN ISO 228-1 G	H max.	11 ²¹ / ₃₂	11 ²³ / ₃₂	11 ²⁷ / ₃₂	11 ¹⁵ / ₁₆	12	–	12 ²⁹ / ₃₂	13	13 ¹ / ₈	13 ³ / ₁₆	13 ⁹ / ₃₂	–
ISO 7-1/BS 21 R	H max.	11 ²³ / ₃₂	11 ²⁵ / ₃₂	11 ¹⁵ / ₁₆	–	12	–	13	13 ¹ / ₃₂	13 ³ / ₁₆	–	13 ⁹ / ₃₂	–
ASME B1.20.1 NPT	H max.	11 ²⁷ / ₃₂	11 ²⁷ / ₃₂	12 ³ / ₃₂	12 ¹ / ₈	12 ¹ / ₈	12 ⁵ / ₃₂	13 ¹ / ₈	13 ¹ / ₈	13 ¹¹ / ₃₂	13 ³ / ₈	13 ³ / ₈	13 ⁷ / ₁₆

Length of screwed end c [inch]		1/2"	3/4"	1"	1 1/4"	1 1/2"	2"
DIN ISO 228-1 G		9/16	5/8	23/32	25/32	7/8	–
ISO 7-1/BS 21 R		3/4	25/32	29/32	–	31/32	–
ASME B1.20.1 NPT		7/8	7/8	1 1/16	1 3/32	1 3/32	1 5/32

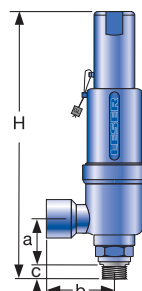
¹⁾ Inlet thread R only to 1 1/2".



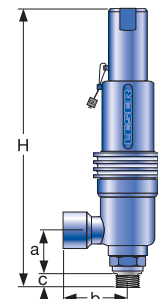
Required installation diameter



Conventional design – female thread



Conventional design – male thread



Balanced bellows

Type 459

Dimensions and weights

Flanged connections [Metric units]

	Conventional design			Balanced bellows		
Actual Orifice diameter d_0 [mm]	9	13	17.5	9	13	17.5
Actual Orifice area A_0 [mm ²]	63.6	133	241	63.6	133	241

DIN EN 1092-1 (Available flange sizes refer to page 09/07)

Flange rating PN 40 – PN 400								
Center to face	[mm]	Inlet a	100	100	105	100	100	105
		Outlet b	100	100	100	100	100	100
Height	[mm]	H max.	330	330	333	375	375	378

ASME B 16.5 (Available flange sizes refer to page 09/07)

Flange rating class 150 – 2500								
Center to face	[mm]	Inlet a	100	100	105	100	100	105
		Outlet b	100	100	100	100	100	100
Height	[mm]	H max.	330	330	333	375	375	378

Note The outlet dimension b can differ at special combinations of nominal diameter and pressure range if flanged connections are used at the inlet and outlet. Special dimensions are possible. More information at sales@leser.com.

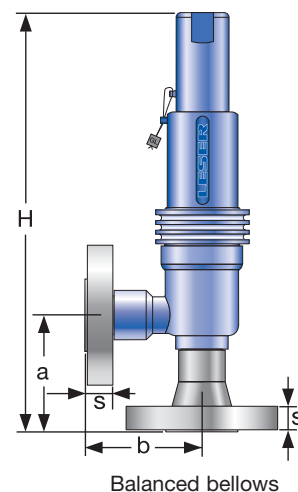
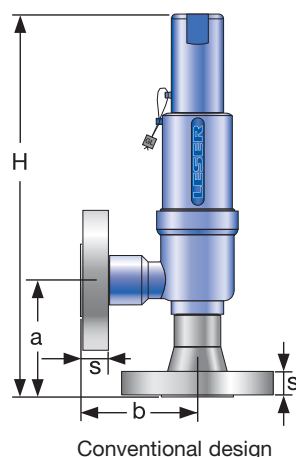
Weight

For the calculation of the total weight please use the Formular: $W_T = W_N + W_F$ (Inlet) + W_F (Outlet)

Weight net	[kg]	m_N	3.1	3.1	3.9	4.3	4.3	5.1
(without inlet and outlet flange)								

Flange dimensions

	Size	DIN EN 1092-1 / Flange rating PN						ASME B16.5 / Flange rating					
		40	100	160	250	320	400	150	300	600	900	1500	2500
DN 15		NPS 1/2"											
Flange thickness	[mm] s	18	–	22	28	28	30	14	18	18	26	26	30.2
Weight slip on flange	[kg] m_F	0.8	–	1.2	2.5	2.5	3.6	0.6	0.9	0.9	2.1	2.1	3
DN 20		NPS 3/4"											
Flange thickness	[mm] s	20	22	–	–	–	–	15	18	18	25.4	25.4	32
Weight slip on flange	[kg] m_F	1.1	1.3	–	–	–	–	0.8	1.4	1.4	2.3	2.3	3.5
DN 25		NPS 1"											
Flange thickness	[mm] s	22	–	26	30	36	40	17	21.5	21.5	32.5	32.5	40
Weight slip on flange	[kg] m_F	1.3	–	2.6	3.5	5	7.5	1	2.1	2.1	4.1	4.1	5.1
DN 40		NPS 1 1/2"											
Flange thickness	[mm] s	21	–	23	32	–	–	22	24	24	32	–	–
Weight slip on flange	[kg] m_F	2.1	–	2.9	4.3	–	–	1.4	2.2	2.2	3.9	–	–



Type 459

Dimensions and weights

Flanged connections [US units]

	Conventional design			Balanced bellows		
Actual Orifice diameter d_0 [inch]	0.354	0.512	0.689	0.354	0.512	0.689
Actual Orifice area A_0 [inch ²]	0.099	0.206	0.374	0.099	0.206	0.374

DIN EN 1092-1

Flange rating PN 40 – PN 400								
Center to face	[inch]	Inlet a	3 ¹⁵ / ₁₆	3 ¹⁵ / ₁₆	4 ¹ / ₈	3 ¹⁵ / ₁₆	3 ¹⁵ / ₁₆	4 ¹ / ₈
		Outlet b	3 ¹⁵ / ₁₆	3 ¹⁵ / ₁₆	3 ¹⁵ / ₁₆	3 ¹⁵ / ₁₆	3 ¹⁵ / ₁₆	3 ¹⁵ / ₁₆
Height [H4]	[inch]	H max.	13	13	13 ¹ / ₈	14 ³ / ₄	14 ³ / ₄	14 ⁷ / ₈

ASME B 16.5

Flange rating class 150 – 2500								
Center to face	[inch]	Inlet a	3 ¹⁵ / ₁₆	3 ¹⁵ / ₁₆	4 ¹ / ₈	3 ¹⁵ / ₁₆	3 ¹⁵ / ₁₆	4 ¹ / ₈
		Outlet b	3 ¹⁵ / ₁₆	3 ¹⁵ / ₁₆	3 ¹⁵ / ₁₆	3 ¹⁵ / ₁₆	3 ¹⁵ / ₁₆	3 ¹⁵ / ₁₆
Height	[inch]	H max.	13	13	13 ¹ / ₈	14 ³ / ₄	14 ³ / ₄	14 ⁷ / ₈

Note The outlet dimension b can differ at special combinations of nominal diameter and pressure range if flanged connections are used at the inlet and outlet. Special dimensions are possible. More information at sales@leser.com.

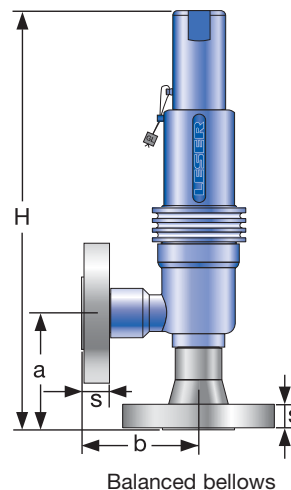
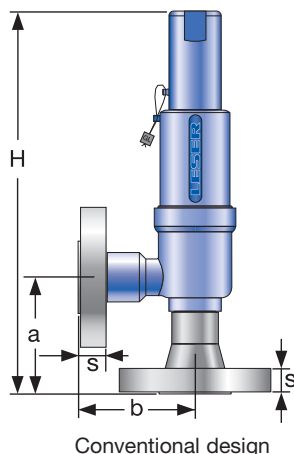
Weight

For the calculation of the total weight please use the Formular: $W_T = W_N + W_F$ (Inlet) + W_F (Outlet)

Weight net	[lbs]	m_N	6.8	6.8	8.6	9.5	9.5	11.3
(without inlet and outlet flange)								

Flange dimensions

		DIN EN 1092-1 / Flange rating PN						ASME B16.5 / Flange rating					
		Size						Size					
		40	100	160	250	320	400	150	300	600	900	1500	2500
DN 15								NPS 1/2"					
Flange thickness	[inch] s	2 ³ / ₃₂	–	7 ¹ / ₈	1 ³ / ₃₂	1 ³ / ₃₂	1 ³ / ₁₆	9 ¹ / ₁₆	2 ³ / ₃₂	2 ³ / ₃₂	1 ¹ / ₃₂	1 ¹ / ₃₂	1 ³ / ₁₆
Weight slip on flange	[lbs] m_F	1.8	–	2.6	5.5	5.5	7.9	1.3	2.0	2.0	4.6	4.6	6.6
DN 20								NPS 3/4"					
Flange thickness	[inch] s	2 ⁵ / ₃₂	7 ¹ / ₈	–	–	–	–	1 ⁹ / ₃₂	2 ³ / ₃₂	2 ³ / ₃₂	1	1	1 ¹ / ₄
Weight slip on flange	[lbs] m_F	2.4	2.9	–	–	–	–	1.8	3.1	3.1	5.1	5.1	7.7
DN 25								NPS 1"					
Flange thickness	[inch] s	7 ¹ / ₈	–	1 ¹ / ₃₂	1 ³ / ₁₆	1 ¹³ / ₃₂	1 ⁹ / ₁₆	2 ¹ / ₃₂	2 ⁷ / ₃₂	2 ⁷ / ₃₂	1 ⁹ / ₃₂	1 ⁹ / ₃₂	1 ⁹ / ₁₆
Weight slip on flange	[lbs] m_F	2.9	–	5.7	7.7	11.0	16.5	2.2	4.6	4.6	9.0	9.0	11.2
DN 40								NPS 1 1/2"					
Flange thickness	[inch] s	1 ³ / ₁₆	–	2 ⁹ / ₃₂	1 ¹ / ₄	–	–	7 ¹ / ₈	1 ⁵ / ₁₆	1 ⁵ / ₁₆	1 ¹ / ₄	–	–
Weight slip on flange	[lbs] m_F	4.5	–	6.3	9.5	–	–	3.2	4.8	4.8	8.6	–	–



Type 459

Type 459

Pressure/temperature ratings

[Metric units]

Actual Orifice diameter d_0 [mm]		9	13	17.5								
Actual Orifice Area A_0 [mm ²]		63.6	133	241								
Body material: 1.4104 (430)		Type 4593										
Base / Inlet Body	Connection size	1/2"	3/4"	1"	1/2"	3/4"	1"	3/4"	1"	1 1/4"	1 1/2"	2"
	Pressure rating	PN 400			PN 250			PN 160				
Outlet body	Pressure rating	PN 40			PN 40			PN 40				
Minimum set pressure	p [bar _g] S/G/L	1.5			0.2			0.2				
Min. set pressure standard bellows	p [bar _g] S/G/L	3			3			3				
Min. set pressure⁵⁾ high press. bellows	p [bar _g] S/G/L	40			40			40				
Maximum set pressure	p [bar _g] S/G/L	250			200			100				
Temperature acc. to DIN EN	min. [°C]				-10							
	max. [°C]				+300							
Temperature acc. to ASME	min. [°C]				-29							
	max. [°C]				+300							
Body material: 1.4404 (316L)		Type 4592										
Base / Inlet Body	Connection size	1/2"	3/4"	1"	1/2"	3/4"	1"	3/4"	1"	1 1/4"	1 1/2"	2"
	Pressure rating	PN 250 PN 500 (Option code L20)			PN 160 PN 250 (Option code L20)			PN 160				
Outlet Body	Pressure rating	PN 160			PN 160			PN 160				
Minimum set pressure	p [bar _g] S/G/L	1.5			0.2			0.2				
Min. set pressure standard bellows	p [bar _g] S/G/L	3			3			3				
Min. set pressure⁵⁾ high press. bellows	p [bar _g] S/G/L	40			40			40				
Maximum set pressure	p [bar _g] S/G/L	250			200			100				
Temperature acc. to DIN EN	min. [°C]				-85 ¹⁾							
	max. [°C]				+450 ²⁾							
Temperature acc. to ASME	min. [°C]				-29							
	max. [°C]				+427							
Body material: 1.4404 (316L)		Type 4594										
Base / Inlet Body	Connection size	1/2"	3/4"	1"	1/2"	3/4"	1"	3/4"	1"	1 1/4"	1 1/2"	2"
	Pressure rating	PN 250 PN 500 (Option code L20)			PN 160 PN 250 (Option code L20)			PN 160				
Outlet Body	Pressure rating	PN 160			PN 160			PN 160				
Minimum set pressure	p [bar _g] S/G/L	1.5			0.2			0.2				
Min. set pressure standard bellows	p [bar _g] S/G/L	3			3			3				
Min. set pressure⁵⁾ high press. bellows	p [bar _g] S/G/L	40			40			40				
Maximum set pressure	p [bar _g] S/G/L	250			200			100				
Temperature acc. to DIN EN	min. [°C]				-273 ³⁾							
	max. [°C]				+400 ²⁾							
Temperature acc. to ASME	min. [°C]				-196							
	max. [°C]				+450 ^{2) 4)}							

¹⁾ For DIN EN applications at temperatures under -10°C please proceed in accordance to AD-2000 Merkblatt W10:

- Load case II: under -10°C / 14°F to -60°C / -76°F, $p_{max} = PN \times 0.75$
- Load case III: under -60°C / -76°F to -85°C / -121°F, $p_{max} = PN \times 0.25$

²⁾ Please notice: from 300°C / 572°F a bellows or suitable spring material e.g. Inconel X750 should be selected (refer to LDs 3001.19).

³⁾ For DIN EN applications at temperatures under -200°C please proceed in accordance to AD-2000 Merkblatt W10:

- Load case II: under -200°C / -328°F to -255°C / -427°F, $p_{max} = PN \times 0.75$
- Load case III: under -255°C / -427°F to -273°C / -459°F, $p_{max} = PN \times 0.25$

⁴⁾ The temperature is limited by the standard inlet body. For applications up to 538°C/1000°F (temperature limit of outlet body) a suitable inlet body material and a bellows or Inconel spring is required.

⁵⁾ Min. set pressure high pressure bellows = Max. pressure standard bellows.

Because there is no open bonnet for this type available, please use at a temperature of 300°C (572°F) a stainless steel bellows or a specific high temperature model without a bellows.

Type 459

Pressure/temperature ratings

[US units]

Actual Orifice diameter d_0 [inch]		0.354			0.512				0.689			
Actual Orifice Area A_0 [inch ²]		0.099			0.206				0.347			
Body material: 1.4104 (430)				Type 4593								
Base / Inlet Body	Connection size	1/2"	3/4"	1"	1/2"	3/4"	1"	3/4"	1"	1 1/4"	1 1/2"	2"
Minimum set pressure	p [psig] S/G/L	21.8			2.9			2.9				
Min. set pressure⁵⁾ standard bellows	p [psig] S/G/L	43.5			43.5			43.5				
Min. set pressure high press. bellows	p [psig] S/G/L	580			580			580				
Maximum set pressure	p [psig] S/G/L	3625			2900			1450				
Temperature acc. to DIN EN	min. [°F]				+14							
	max. [°F]				+572							
Temperature acc. to ASME	min. [°F]				-20							
	max. [°F]				+572							
Body material: 1.4404 (316L)				Type 4592								
Base / Inlet Body	Connection size	1/2"	3/4"	1"	1/2"	3/4"	1"	3/4"	1"	1 1/4"	1 1/2"	2"
Minimum set pressure	p [psig] S/G/L	21.8			2.9			2.9				
Min. set pressure⁵⁾ standard bellows	p [psig] S/G/L	43.5			43.5			43.5				
Min. set pressure high press. bellows	p [psig] S/G/L	580			580			580				
Maximum set pressure	p [psig] S/G/L	3625			2900			1450				
Temperature acc. to DIN EN	min. [°F]				-121 ¹⁾							
	max. [°F]				+752 ²⁾							
Temperature acc. to ASME	min. [°F]				-20							
	max. [°F]				+800 ²⁾							
Body material: 1.4404 (316L)				Type 4594								
Base / Inlet Body	Connection size	1/2"	3/4"	1"	1/2"	3/4"	1"	3/4"	1"	1 1/4"	1 1/2"	2"
Minimum set pressure	p [psig] S/G/L	21.8			2.9			2.9				
Min. set pressure⁵⁾ standard bellows	p [psig] S/G/L	43.5			43.5			43.5				
Min. set pressure high press. bellows	p [psig] S/G/L	580			580			580				
Maximum set pressure	p [psig] S/G/L	3625			2900			1450				
Temperature acc. to DIN EN	min. [°F]				-328 ³⁾							
	max. [°F]				+752 ²⁾							
Temperature acc. to ASME	min. [°F]				-321							
	max. [°F]				+842 ^{2) 4)}							

¹⁾ For DIN EN applications at temperatures under -10 °C please proceed in accordance to AD-2000 Merkblatt W10:

- Load case II: under -10 °C / 14 °F to -60 °C / -76 °F, $p_{max} = PN \times 0.75$
- Load case III: under -60 °C / -76 °F to -85 °C / -121 °F, $p_{max} = PN \times 0.25$

²⁾ Please notice: from 300 °C / 572 °F a bellows or suitable spring material e.g. Inconel X750 should be selected (refer to LDsS 3001.19).

³⁾ For DIN EN applications at temperatures under -200 °C please proceed in accordance to AD-2000 Merkblatt W10:

- Load case II: under -200 °C / -328 °F to -255 °C / -427 °F, $p_{max} = PN \times 0.75$
- Load case III: under -255 °C / -427 °F to -273 °C / -459 °F, $p_{max} = PN \times 0.25$

⁴⁾ The temperature is limited by the standard inlet body. For applications up to 538 °C/1000 °F (temperature limit of outlet body) a suitable inlet body material and a bellows or Inconel spring is required.

⁵⁾ Min. set pressure high pressure bellows = Max. pressure standard bellows.

Because there is no open bonnet for this type available, please use at a temperature of 300 °C (572 °F) a stainless steel bellows or a specific high temperature model without a bellows.

Type 459 Approvals

Actual Orifice diameter d_0 [mm]		9	13	17.5
Actual Orifice area A_0 [mm ²]		63.6	133	241
Actual Orifice diameter d_0 [inch]		0.354	0.512	0.689
Actual Orifice area A_0 [inch ²]		0.099	0.206	0.374
Europe		Coefficient of discharge K_{dr}		
	Approval No.	072021409Z0022/15/D/0135		
PED / DIN EN ISO 4126-1	S/G	0.83	0.81	0.79
	L	0.61	0.53	0.52
Germany		Coefficient of discharge α_w		
	Approval No.	TÜV SV 909		
PED / AD 2000-Merkblatt A2	S/G	0.83	0.81	0.79
	L	0.61	0.53	0.52
United States		Coefficient of discharge K		
	Approval No.	M 37112		
ASME Sec. VIII Div. 1	S/G	0.811		
	Approval No.	M 37101		
	L	0.566		
Canada		Coefficient of discharge K		
	Approval No.	The current approval no. can be found at www.leser.com		
CRN	S/G	0.811		
	L	0.566		
China		Coefficient of discharge α_w		
	Approval No.	The current approval no. can be found at www.leser.com		
AQSIQ	S/G	0.83	0.81	0.79
	L	0.61	0.53	0.52
Eurasian Custom Union		Coefficient of discharge α_w		
	Approval No.	The current approval no. can be found at www.leser.com		
EAC	S/G	0.83	0.81	0.79
	L	0.61	0.53	0.52
Classification societies		Homepage		
Bureau Veritas	BV	www.bureauveritas.com	The valid certification number is changed with every renewal.	
DNV GL		www.dnvgl.com		
Lloyd's Register EMEA	LREMEA	www.lr.org	A sample certificate including the valid certification number can be found at www.leser.com	
Registro Italiano Navale	RINA	www.rina.org		
U.S. Coast Guard	U.S.C.G	www.uscg.org		



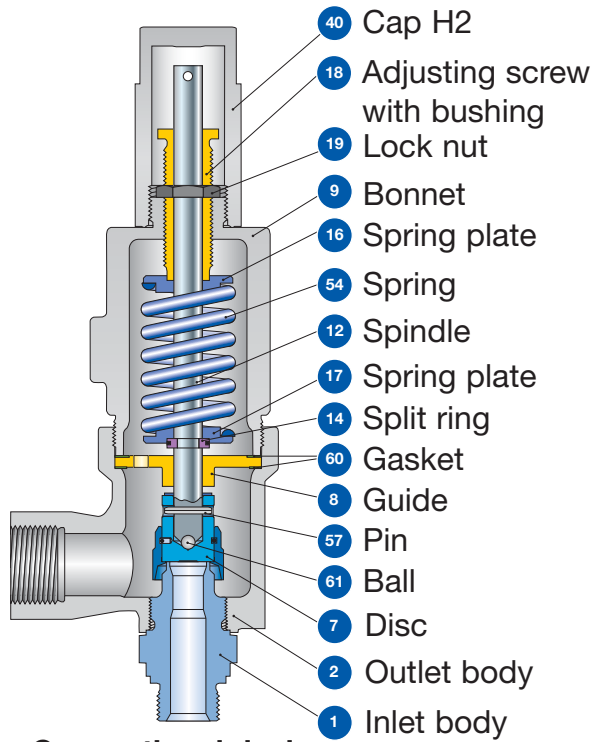
Type 459 HDD

Type 459 HDD
Safety Relief Valves

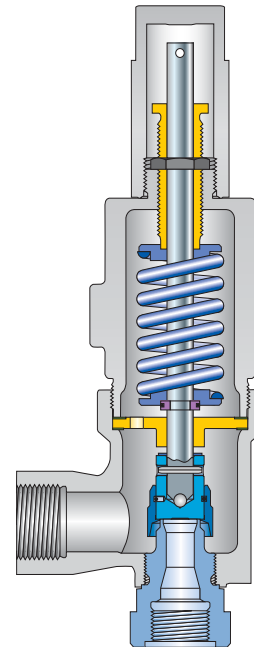
Contents	Page
Designs	53
Materials	54
Article numbers	55
Dimensions and weights	
• Threaded connections	56
• Flanged connections	58
Pressure / temperature ratings	60
Approvals	61

Type 459 HDD
Cap H2

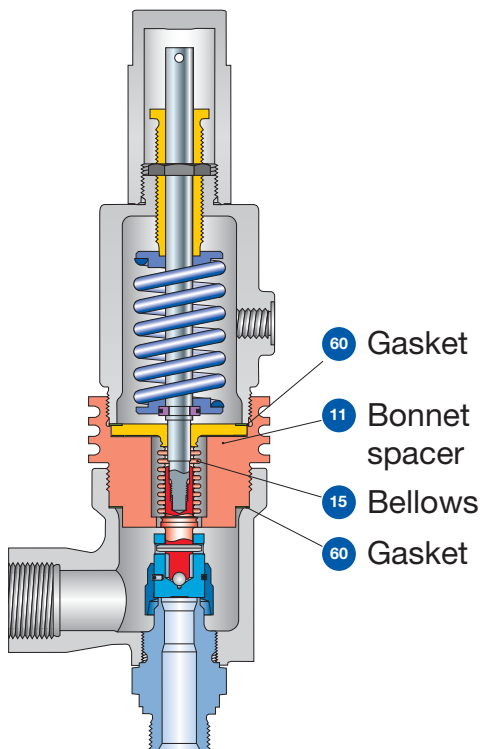
Type 459 HDD
Designs



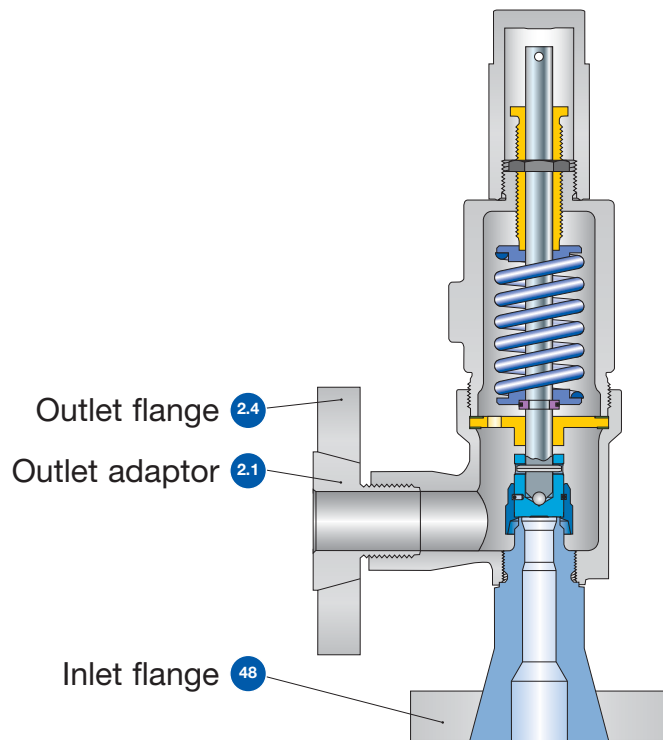
Conventional design
Threaded connection



Conventional design
Threaded connection



Balanced bellows
Threaded connection



Conventional design
Flange connection

Type 459 HDD

Type 459 HDD

Materials

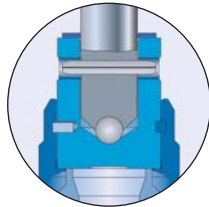
Item	Component	Design	Type 4594 HDD
1	Base / Inlet body	Threaded connection	1.4404 stelled SA 479 316L stelled
		Flange connection	1.4404 stelled SA 479 316L stelled
2	Outlet body		1.4408 CF8M
2.1	Outlet adaptor	Flange connection	1.4404 316L
2.4	Outlet flange	Flange connection	1.4404 316L
7	Disc	Metal seat	1.4404 stelled SA 479 316L stelled
			1.4404 316L
8	Guide		1.4404 316L
		Balanced bellows design	1.4404 / SA 316L Upper connection of balanced bellows
9	Bonnet		1.4408 CF8M
		Balanced bellows design	1.4408 CF8M
11	Bonnet spacer	Balanced bellows design	1.4404 316L
			1.4404 316L
12	Spindle		1.4404 316L
		Balanced bellows design	1.4404 316L
14	Split ring		1.4404 316L
			1.4571 316Ti
15	Bellows	Balanced bellows design	1.4404 316L
16/17	Spring plate		1.4404 316L
			1.4404 / PTFE 316L / PTFE
18	Adjusting screw with bushing		1.4404 316L
19	Lock nut		1.4404 316L
			1.4404 316L
48	Inlet flange	Flange connection	1.4404 316L
			1.4310 Stainless steel
54	Spring	Standard	1.4310 Stainless steel
			1.4310 Stainless steel
57	Pin		1.4310 Stainless steel
			Graphite / 1.4301 Graphite / 316L
60	Gasket		1.4401 316
61	Ball		1.4401 316

Please notice:

- Modifications reserved by LESER.
- LESER can upgrade materials without notice.
- Every part can be replaced by other material acc. to customer specification.
- The materials shall meet the requirements of the relevant regulations (Pressure Equipment Directive (PED), acc. to PED applied harmonized standards, AD 2000-Merkblätter, VdTÜV (Werkstoffblätter) as well as further materials listed in Section 8 of the Type-Examination.

Type 459 HDD

Article numbers



Metal seat

Actual Orifice diameter d_0 [mm]		6 ¹⁾		9	
Actual Orifice area A_0 [mm ²]		28.3		63.9	
Actual Orifice diameter d_0 [inch]		0.236		0.354	
Actual Orifice area A_0 [inch ²]		0.044		0.099	
Body material: 14404 (316L)					
Outlet body	1.4408	H2	Art. No. 4594.	2132	2142
	CF8M				
Bonnet	1.4404	H4	Art. No. 4594.	2134	2144
	1.4408				
	p [bar _g]				
p [psig]	6091 – 12328	3626 – 6091			

¹⁾ The specification of the medium is necessary at liquid applications (Option Code M09).

Type 459 HDD

Dimensions and weights

Threaded connections [Metric units]

Size Outlet body	1/2" x 1"	3/4" x 1"	1" x 1"	1/2" x 1"	3/4" x 1"	1" x 1"
Actual Orifice diameter d_0 [mm]	6	6	6	9	9	9
Actual Orifice area A_0 [mm ²]	28.3	28.3	28.3	63.6	63.6	63.6
Weight [kg]	3.1	3.1	3.1	3.1	3.1	3.1
Balanced bellows [kg]	3.9	3.9	3.9	3.9	3.9	3.9
Required installation diameter d [mm]	165	165	165	165	165	165

Inlet thread female

Size outlet body	1/2" x 1"	3/4" x 1"	1" x 1"	1/2" x 1"	3/4" x 1"	1" x 1"		
Actual Orifice diameter d_0 [mm]	6	6	6	9	9	9		
Center to face / Height								
DIN ISO 228-1 G	Inlet a		53	53	62*)	53	56	62
ASME B1.20.1 NPT	Outlet b		75	75	75*)	75	75	75
Center to face [mm]	H max.		283	286	292*)	283	286	292
Height [mm]	Balanced bellows H max.		315	318	342*)	315	318	324
ISO 7-1/BS 21 Rc	Inlet a		53	56	64	53	56	64
Center to face [mm]	Outlet b		75	75	75	75	75	75
Height [mm]	H max.		283	286	294	283	286	294
	Balanced bellows H max.		315	318	326	315	318	326

Inlet thread male

Size outlet body	1"	1"	
Actual Orifice diameter d_0 [mm]	6	9	
Center to face [mm]			
DIN ISO 228-1 G	Inlet a	52	52
	Outlet b	75	75
ISO 7-1/BS 21 R	Inlet a	49	49
ASME B1.20.1 NPT	Outlet b	75	75

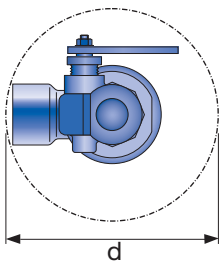
Height [mm]

			Conventional design			Balanced bellows		
	Size inlet thread		1/2"	3/4"	1"	1/2"	3/4"	1"
DIN ISO 228-1 G	H max.		296	298	301	328	330	333
ISO 7-1/BS 21 R	H max.		298	299	303	330	331	335
ASME B1.20.1 NPT	H max.		301	301	307	333	333	339

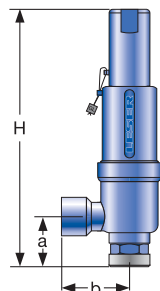
Length of screwed end c [mm]

	Size inlet thread	1/2"	3/4"	1"
DIN ISO 228-1 G		14	16	18
ISO 7-1/BS 21 R		19	20	23
ASME B1.20.1 NPT		22	22	27

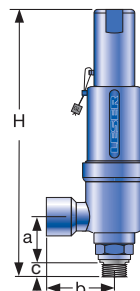
*) DIN ISO 228-1 G not possible.



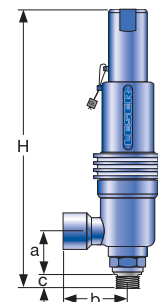
Required installation diameter



Conventional design – female thread



Conventional design – male thread



Balanced bellows

Type 459 HDD

Dimensions and weights

Threaded connections [US units]

Size Outlet body	1/2" x 1"	3/4" x 1"	1" x 1"	1/2" x 1"	3/4" x 1"	1" x 1"
Actual Orifice diameter d_0 [inch]	0.236	0.236	0.236	0.354	0.354	0.354
Actual Orifice area A_0 [inch ²]	0.044	0.044	0.044	0.099	0.099	0.099
Weight [lbs]	6.8	6.8	6.8	6.8	6.8	6.8
Balanced bellows [lbs]	8.6	8.6	8.6	8.6	8.6	8.6
Required installation diameter d [inch]	6 1/2	6 1/2	6 1/2	6 1/2	6 1/2	6 1/2

Inlet thread female

Size outlet body	1/2" x 1"	3/4" x 1"	1" x 1"	1/2" x 1"	3/4" x 1"	1" x 1"		
Actual Orifice diameter d_0 [inch]	0.236	0.236	0.236	0.354	0.354	0.354		
Center to face / Height								
DIN ISO 228-1 G	Inlet a		2 ³ / ₃₂	2 ⁷ / ₃₂	2 ⁷ / ₁₆ *)	2 ³ / ₃₂	2 ⁷ / ₃₂	2 ⁷ / ₁₆
ASME B1.20.1 NPT	Outlet b		2 ¹⁵ / ₁₆	2 ¹⁵ / ₁₆	2 ¹⁵ / ₁₆ *)	2 ¹⁵ / ₁₆	2 ¹⁵ / ₁₆	2 ¹⁵ / ₁₆
Center to face [inch]	H max.		11 ⁵ / ₃₂	11 ¹ / ₁₄	11 ¹ / ₂ *)	11 ⁵ / ₃₂	11 ¹ / ₁₄	11 ¹ / ₂
Height [inch]	Balanced bellows H max.		12 ¹³ / ₃₂	12 ¹⁷ / ₃₂	12 ³ / ₄ *)	12 ¹³ / ₃₂	12 ¹⁷ / ₃₂	12 ³ / ₄
ISO 7-1/BS 21 Rc	Inlet a		2 ³ / ₃₂	2 ⁷ / ₃₂	2 ⁷ / ₃₂	2 ³ / ₃₂	2 ⁷ / ₃₂	2 ⁷ / ₃₂
Center to face [inch]	Outlet b		2 ¹⁵ / ₁₆	2 ¹⁵ / ₁₆	2 ¹⁵ / ₁₆	2 ¹⁵ / ₁₆	2 ¹⁵ / ₁₆	2 ¹⁵ / ₁₆
Height [inch]	H max.		11 ⁵ / ₃₂	11 ¹ / ₁₄	11 ⁹ / ₁₆	11 ⁵ / ₃₂	11 ¹ / ₁₄	11 ⁹ / ₁₆
	Balanced bellows H max.		12 ¹³ / ₃₂	12 ¹⁷ / ₃₂	12 ²⁷ / ₃₂	12 ¹³ / ₃₂	12 ¹⁷ / ₃₂	12 ²⁷ / ₃₂

Inlet thread male

Size outlet body	1"	1"	
Actual Orifice diameter d_0 [inch]	1/4	11/32	
Center to face [inch]			
DIN ISO 228-1 G	Inlet a	2 ¹ / ₁₆	2 ¹ / ₁₆
	Outlet b	2 ¹⁵ / ₁₆	2 ¹⁵ / ₁₆
ISO 7-1/BS 21 R	Inlet a	1 ¹⁵ / ₁₆	1 ¹⁵ / ₁₆
ASME B1.20.1 NPT	Outlet b	2 ¹⁵ / ₁₆	2 ¹⁵ / ₁₆

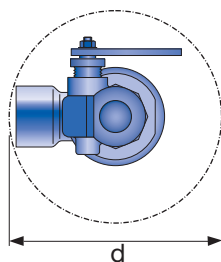
Height [inch]

			Conventional design			Balanced bellows		
Size inlet thread			1/2"	3/4"	1"	1/2"	3/4"	1"
DIN ISO 228-1 G	H max.		11 ²¹ / ₃₂	11 ²³ / ₃₂	11 ²⁷ / ₃₂	12 ²⁹ / ₃₂	13	13 ¹ / ₈
ISO 7-1/BS 21 R	H max.		11 ²³ / ₃₂	11 ²⁵ / ₃₂	11 ¹⁵ / ₁₆	13	13 ¹ / ₃₂	13 ³ / ₁₆
ASME B1.20.1 NPT	H max.		11 ²⁷ / ₃₂	11 ²⁷ / ₃₂	12 ³ / ₃₂	13 ¹ / ₈	13 ¹ / ₈	13 ¹¹ / ₃₂

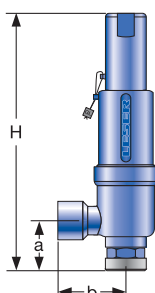
Length of screwed end c [inch]

Size inlet thread			1/2"	3/4"	1"
DIN ISO 228-1 G			9/16	5/8	23/32
ISO 7-1/BS 21 R			3/4	25/32	29/32
ASME B1.20.1 NPT			7/8	7/8	1 ¹ / ₁₆

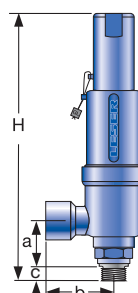
*) DIN ISO 228-1 G not possible.



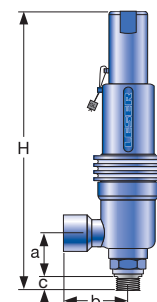
Required installation diameter



Conventional design – female thread



Conventional design – male thread



Balanced bellows

Type 459 HDD

Dimensions and weights

Flanged connections [Metric units]

	Conventional design		Balanced bellows	
Actual Orifice diameter d_0 [mm]	6	9	6	9
Actual Orifice area A_0 [mm ²]	28.3	63.6	28.3	63.6

DIN EN 1092-1 (Available flange sizes refer to page 09/07)

Flange rating PN 40 – PN 400

Center to face	[mm]	Inlet a	100	100	100	100
		Outlet b	100	100	100	100
Height	[mm]	H max.	330	330	375	375

ASME B 16.5 (Available flange sizes refer to page 09/07)

Flange rating class 150 – 2500

Center to face	[mm]	Inlet a	100	100	100	100
		Outlet b	100	100	100	100
Height	[mm]	H max.	330	330	375	375

Note The outlet dimension b can differ at special combinations of nominal diameter and pressure range if flanged connections are used at the inlet and outlet. Special dimensions are possible. More information at sales@leser.com.

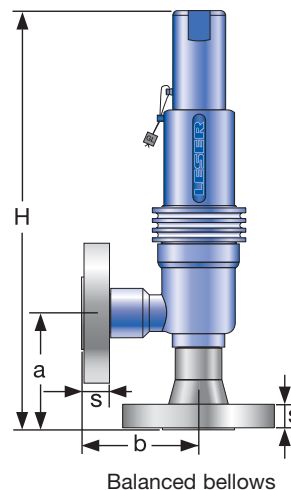
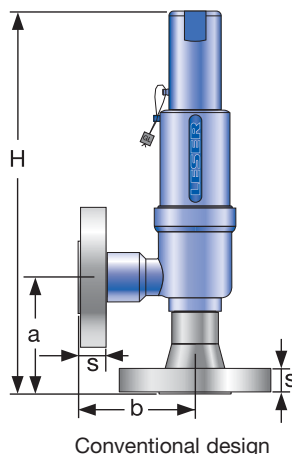
Weight

For the calculation of the total weight please use the Formular: $W_T = W_N + W_F$ (Inlet) + W_F (Outlet)

Weight net	[kg]	m_N	3.1	3.1	4.3	4.3
(without inlet and outlet flange)						

Flange dimensions

	Size	DIN EN 1092-1 / Flange rating PN						DIN ISO 1092-1 / Flange rating class					
		40	100	160	250	320	400	150	300	600	900	1500	2500
DN 15								NPS 1/2"					
Flange thickness [mm]	s	18	-	22	28	28	30	14	18	18	26	26	30.2
Weight slip on flange [kg]	m_F	0.8	-	1.2	2.5	2.5	3.6	0.6	0.9	0.9	2.1	2.1	3
DN 20								NPS 3/4"					
Flange thickness [mm]	s	20	22	-	-	-	-	15	18	18	25.4	25.4	32
Weight slip on flange [kg]	m_F	1.1	1.3	-	-	-	-	0.8	1.4	1.4	2.3	2.3	3.5
DN 25								NPS 1"					
Flange thickness [mm]	s	22	-	26	30	36	40	17	21.5	21.5	32.5	32.5	40
Weight slip on flange [kg]	m_F	1.3	-	2.6	3.5	5	7.5	1	2.1	2.1	4.1	4.1	5.1
DN 40								NPS 1 1/2"					
Flange thickness [mm]	s	21	-	23	32	-	-	22	24	24	32	-	-
Weight slip on flange [kg]	m_F	2.1	-	2.9	4.3	-	-	1.4	2.2	2.2	3.9	-	-



Type 459 HDD

Dimensions and weights

Flanged connections [US units]

	Conventional design		Balanced bellows	
Actual Orifice diameter d_0 [inch]	0.236	0.354	0.236	0.354
Actual Orifice area A_0 [inch ²]	0.044	0.099	0.044	0.099

DIN EN 1092-1 (Available flange sizes refer to page 09/07)

Flange rating PN 40 – PN 400				
Center to face [inch]	Inlet a	$3^{15}/_{16}$	$3^{15}/_{16}$	$3^{15}/_{16}$
	Outlet b	$3^{15}/_{16}$	$3^{15}/_{16}$	$3^{15}/_{16}$
Height [inch]	H max.	13	13	$14^{3}/_{4}$

ASME B 16.5 (Available flange sizes refer to page 09/07)

Flange rating class 150 – 2500				
Center to face [inch]	Inlet a	$3^{15}/_{16}$	$3^{15}/_{16}$	$3^{15}/_{16}$
	Outlet b	$3^{15}/_{16}$	$3^{15}/_{16}$	$3^{15}/_{16}$
Height [inch]	H max.	13	13	$14^{3}/_{4}$

Note The outlet dimension b can differ at special combinations of nominal diameter and pressure range if flanged connections are used at the inlet and outlet. Special dimensions are possible. More information at sales@leser.com.

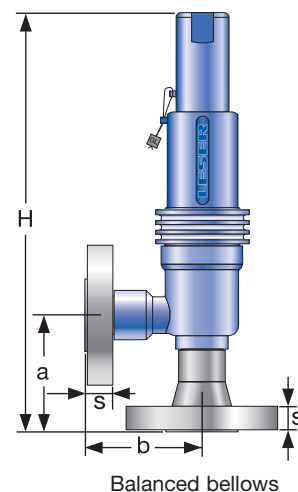
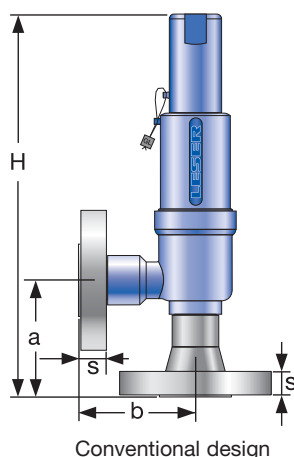
Weight

For the calculation of the total weight please use the Formular: $W_T = W_N + W_F$ (Inlet) + W_F (Outlet)

Weight net [lbs] (without inlet and outlet flange)	m_N	6.8	6.8	9.5	9.5
--	-------	-----	-----	-----	-----

Flange dimensions

	Size	DIN EN 1092-1 / Flange rating PN						ASME B16.5 / Flange rating class					
		40	100	160	250	320	400	150	300	600	900	1500	2500
DN 15		NPS $1/2$"											
Flange thickness [mm]	s	$23/_{32}$	–	$7/8$	$1^3/_{32}$	$1^3/_{32}$	$1^3/_{16}$	$9/_{16}$	$23/_{32}$	$23/_{32}$	$1^1/_{32}$	$1^1/_{32}$	$1^3/_{16}$
Weight slip on flange [kg]	m_F	1.8	–	2.6	5.5	5.5	7.9	1.3	2	2	4.6	4.6	6.6
DN 20		NPS $3/4$"											
Flange thickness [mm]	s	$25/_{32}$	$7/8$	–	–	–	–	$19/_{32}$	$23/_{32}$	$23/_{32}$	1	1	$1^1/4$
Weight slip on flange [kg]	m_F	2.4	2.9	–	–	–	–	1.8	3.1	3.1	5.1	5.1	7.7
DN 25		NPS 1"											
Flange thickness [mm]	s	$7/8$	–	$1^1/_{32}$	$1^3/_{16}$	$1^3/_{32}$	$1^9/_{16}$	$2^1/_{32}$	$2^7/_{32}$	$2^7/_{32}$	$1^9/_{32}$	$1^9/_{32}$	$1^9/_{16}$
Weight slip on flange [kg]	m_F	2.9	–	5.7	7.7	11	16.5	2.2	4.6	4.6	9	9	11.2
DN 40		NPS $1^1/2$"											
Flange thickness [mm]	s	$1^3/_{16}$	–	$2^9/_{32}$	$1^1/4$	–	–	$7/8$	$1^5/_{16}$	$1^5/_{16}$	$1^1/4$	–	–
Weight slip on flange [kg]	m_F	4.5	–	6.3	9.5	–	–	3.2	4.8	4.8	8.6	–	–



Type 459 HDD

Pressure/temperature ratings

[Metric units + US units]

Metric units

Actual Orifice diameter d_0 [mm]		6	9
Actual Orifice Area A_0 [mm ²]		28.3	63.6
Body material 1.4404 (316L)		Type 4594	
Base / Inlet Body	Connection size	1/2"	3/4"
	Pressure rating	PN 850	PN 500
Outlet body	Pressure rating	PN 160	PN 160
Minimum set pressure	p [bar _g] S/G/L	420	250.01
Maximum set pressure	p [bar _g] S/G	850	420
	p [bar _g] L	–	
Temperature acc. to DIN EN	min. [°C]	-273 ¹⁾	-273 ¹⁾
	max. [°C]	+400 ²⁾	+400 ²⁾
Temperature acc. to ASME	min. [°C]	-196	-196
	max. [°C]	+450 ³⁾	+450 ³⁾

US units

Actual Orifice diameter d_0 [inch]		0.236	0.354
Actual Orifice Area A_0 [inch ²]		0.044	0.099
Body material 1.4404 (316L)		Type 4594	
Base / Inlet Body	Connection size	1/2"	3/4"
	Pressure rating	6091	3625
Outlet body	Pressure rating	PN 160	PN 160
Minimum set pressure	p [psig] S/G/L	6091	3625
Maximum set pressure	p [psig] S/G	12328	6091
	p [psig] L	–	
Temperature acc. to DIN EN	min. [°F]	-459 ¹⁾	-459 ¹⁾
	max. [°F]	+752 ²⁾	+752 ²⁾
Temperature acc. to ASME	min. [°F]	-321	-321
	max. [°F]	+842 ³⁾	+842 ³⁾

¹⁾ For DIN EN applications at temperatures under -200 °C / -328 °F please proceed in accordance to AD-2000 Merkblatt W10.

• Load case II: under -200 °C / -328 °F to -255 °C / -427 °F, $p_{max} = PN \times 0.75$

• Load case III: under -255 °C / -427 °F to -273 °C / -459 °F, $p_{max} = PN \times 0.25$

²⁾ Please notice: from 300 °C / 572 °F, a bellows or suitable spring material e.g. Inconel X750 should be selected (refer to LDsS 3001.19). For the temperature range >400 °C / >752 °F an outlet body material e.g. 1.4552 or 1.4581 (special casting) is required.

³⁾ The temperature is limited by the standard inlet body. For applications up to 538 °C/1000 °F (temperature limit of outlet body) a suitable inlet body material and a bellows or Inconel spring is required.

Type 459 HDD Approvals

Actual Orifice diameter d_0 [mm]	6	9
Actual Orifice area A_0 [mm ²]	28.3	63.6
Actual Orifice diameter d_0 [inch]	0.236	0.354
Actual Orifice area A_0 [inch ²]	0.044	0.099
Europe		
		Coefficient of discharge K_{dr}
Approval No.	072021409Z0022/15/D/0135	
PED / DIN EN ISO 4126-1	S/G	0.81
	L	0.70
Germany		
		Coefficient of discharge α_w
Approval No.	TÜV SV 909	
PED / AD 2000-Merkblatt A2	S/G	0.81
	L	0.70
United States		
		Coefficient of discharge K
Approval No.	M 37112	
ASME Sec. VIII Div. 1	S/G	0.811
	Approval No.	M 37112
	L	0.566
Canada		
		Coefficient of discharge K
Approval No.	The current approval no. can be found at www.leser.com	
CRN	S/G	0.811
	L	0.566
China		
		Coefficient of discharge α_w
Approval No.	The current approval no. can be found at www.leser.com	
AQSIQ	S/G	0.81
	L	0.70
Eurasian Custom Union		
		Coefficient of discharge α_w
Approval No.	The current approval no. can be found at www.leser.com	
EAC	S/G	0.81
	L	0.70
Classification societies		
		Homepage
Bureau Veritas	BV	www.bureauveritas.com
DNV GL		www.dnvgl.com
Lloyd's Register EMEA	LREMEA	www.lr.org
Registro Italiano Navale	RINA	www.rina.org
U.S. Coast Guard	U.S.C.G	www.uscg.org
		The valid certification number is changed with every renewal.
		A sample certificate including the valid certification number can be found at www.leser.com

**Type 462
Plain lever H3**



**Type 462
Safety Relief Valves**

Contents	Page
Designs	63
Materials	64
Article numbers	65
Dimensions and weights	
• Threaded connections	66
• Flanged connections	68
Pressure / temperature ratings	70
Approvals	72

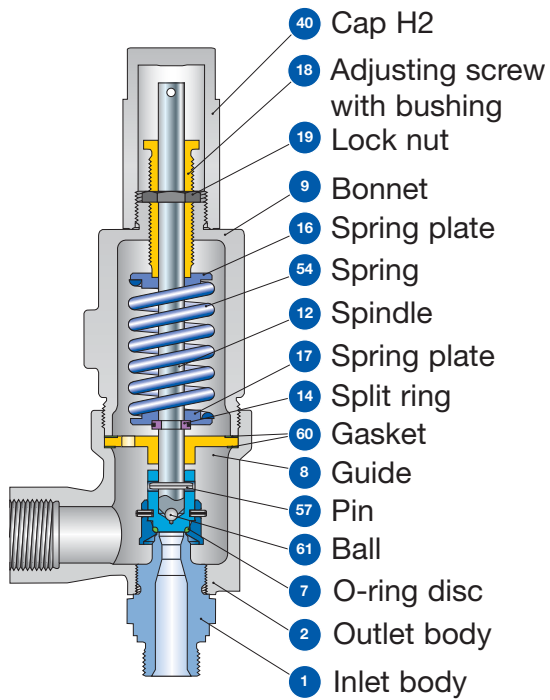


**Type 462
Cap H2**

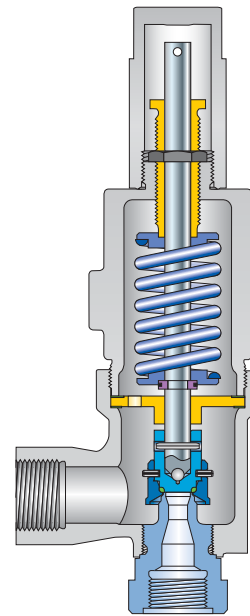


**Type 462
Refrigeration
technology**

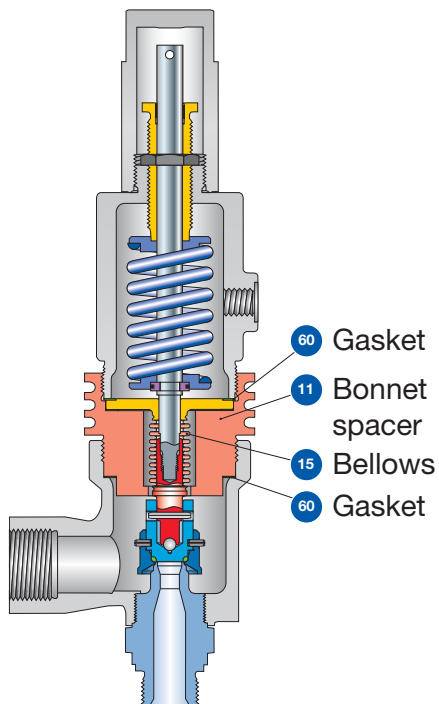
**Type 462
Designs**



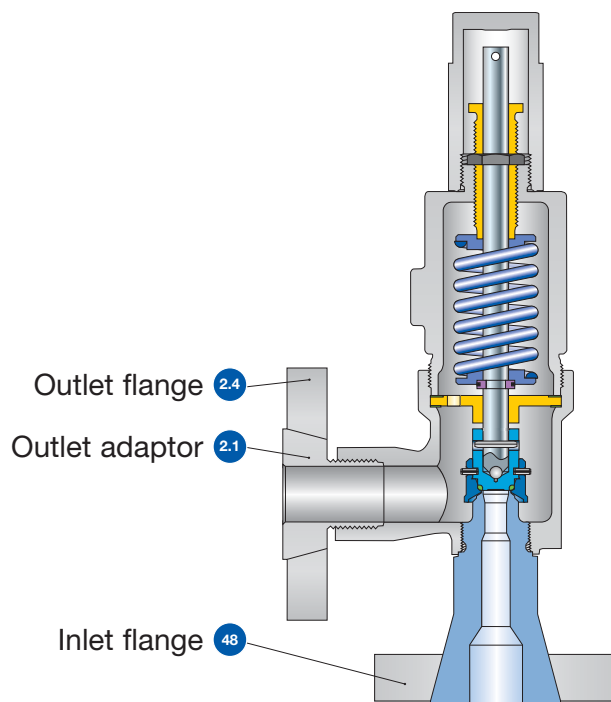
Conventional design
Threaded connection



Conventional design
Threaded connection



Balanced bellows
Threaded connection



Conventional design
Flange connection

Type 462 Materials

Item	Component	Design	Type 4623	Type 4622	Type 4624
1	Base / Inlet body	Threaded connection	1.4104 ¹⁾ , 1.4404 SA 479 430 ¹⁾ , SA 479 316L	1.4404 SA 479 316L	1.4404 SA 479 316L
		Flange connection	1.4404 SA 479 316L	1.4404 SA 479 316L	1.4404 SA 479 316L
2	Outlet body		1.0619 WCB	1.0619 WCB	1.4408 CF8M
2.1	Outlet adaptor	Flange connection	1.4404 316L	1.4404 316L	1.4404 316L
2.4	Outlet flange	Flange connection	1.4404 316L	1.4404 316L	1.4404 316L
7	O-ring disc		1.4404 SA 479 316L	1.4404 SA 479 316L	1.4404 SA 479 316L
7.4	Soft seal O-ring	"N" ²⁾	NBR Nitrile-Butadiene	NBR Nitrile-Butadiene	NBR Nitrile-Butadiene
		"K" ²⁾	CR Chloroprene	CR Chloroprene	CR Chloroprene
		"D" ²⁾	EPDM Ethylen-Propylene-Diene	EPDM Ethylen-Propylene-Diene	EPDM Ethylen-Propylene-Diene
		"L" ²⁾	FKM Fluorocarbon	FKM Fluorocarbon	FKM Fluorocarbon
		"C" ³⁾	FFKM Perfluor	FFKM Perfluor	FFKM Perfluor
8	Guide		1.4104 tenifer Chrome steel tenifer	1.4104 tenifer Chrome steel tenifer	1.4404 316L
		Balanced bellows design	1.4404 / SA 316L Upper connection of balanced bellows	1.4404 / SA 316L Upper connection of balanced bellows	1.4404 / SA 316L Upper connection of balanced bellows
9	Bonnet		0.7043 Ductile Gr. 60-40-18	1.0619 WCB	1.4408 CF8M
		Balanced bellows design	1.0619 WCB	1.0619 WCB	1.4408 CF8M
11	Bonnet spacer	Balanced bellows design	1.4404 316L	1.4404 316L	1.4404 316L
12	Spindle		1.4021 420	1.4404 316L	1.4404 316L
		Balanced bellows design	1.4404 316L	1.4404 316L	1.4404 316L
14	Split ring		1.4104 Chrome steel	1.4104 Chrome steel	1.4404 316L
15	Bellows	Balanced bellows design	1.4571 316Ti	1.4571 316Ti	1.4571 316Ti
16/17	Spring plate		1.0718 Steel	1.0718 Steel	1.4404 316L
18	Adjusting screw with bushing		1.4104 / PTFE Chrome steel / PTFE	1.4104 / PTFE Chrome steel / PTFE	1.4104 / PTFE Chrome steel / PTFE
19	Lock nut		1.4104 430	1.4104 430	1.4404 316L
40	Cap H2		1.0460 SA 105	1.0460 SA 105	1.4404 316L
48	Inlet flange	Flange connection	1.4404 316L	1.4404 316L	1.4404 316L
54	Spring	Standard	1.1200 / 1.8159 / 1.7107 Carbon steel	1.1200 / 1.8159 / 1.7107 Carbon steel	1.4310 Stainless steel
		Optional	1.4310 Stainless steel	1.4310 Stainless steel	- -
57	Pin		1.4310 Stainless steel	1.4310 Stainless steel	1.4310 Stainless steel
60	Gasket		Graphite / 1.4401 Graphite / 316	Graphite / 1.4401 Graphite / 316	Graphite / 1.4401 Graphite / 316
61	Ball		1.3541 Hardened stainless steel	1.3541 Hardened stainless steel	1.4401 316

Please notice:

- Modifications reserved by LESER. If several materials are specified LESER defines the material.
- LESER can upgrade materials without notice.
- Every part can be replaced by other material acc. to customer specification.
- The materials shall meet the requirements of the relevant regulations (Pressure Equipment Directive (PED), acc. to PED applied harmonized standards, AD 2000-Merkblätter, VdTÜV (Werkstoffblätter) as well as further materials listed in Section 8 of the Type-Examination.

¹⁾ only valid for male thread DIN ISO 228-1 G $\frac{3}{4}$ G1, G1 $\frac{1}{2}$ (Option codes V55, V56, V57) (please note availability regarding d₀)

²⁾ d₀ 9 + 13: O-ring 90 Shore for set pressure > 100 bar

³⁾ d₀ 9 + 13: O-ring 90 Shore for set pressure > 40 bar

Type 462

Article numbers

Type 462

Actual Orifice diameter d_0 [mm]	9	13	17.5
Actual Orifice area A_0 [mm ²]	63.6	133	241
Actual Orifice diameter d_0 [inch]	0.354	0.512	0.689
Actual Orifice area A_0 [inch ²]	0.099	0.206	0.374
O-ring material		NBR "N" J30 ²⁾	
		CR "K" J21 ²⁾	
		EPDM "D" J22 ²⁾	
		FKM "L" J23 ²⁾	
		FFKM "C" J20 ³⁾	
Outlet body casted			
Inlet body	1.4104	H2 Art. No. 4623.	2902
Outlet body	1.0619	H3 Art. No. 4623.	2903
Bonnet	0.7043	H4 Art. No. 4623.	2904
	p [bar _g]	S/G/L	0.5 – 250¹⁾
	p [psig]		7.3 – 3625¹⁾
Inlet body	1.4404	H2 Art. No. 4622.	3772
Outlet body	1.0619	H3 Art. No. 4622.	3773
Bonnet	1.0619	H4 Art. No. 4622.	3774
	p [bar _g]	S/G/L	0.5 – 250
	p [psig]		7.3 – 3625
Outlet body investment casted			
Inlet body	1.4404	H2 Art. No. 4624.	2192
Outlet body	1.4408	H3 Art. No. 4624.	2193
Bonnet	1.4408	H4 Art. No. 4624.	2194
	p [bar _g]	S/G/L	0.5 – 250
	p [psig]		7.3 – 3625
Outlet body investment casted			
Inlet body	1.4404	H2 Art. No. 4624.	2202
Outlet body	1.4408	H3 Art. No. 4624.	2203
Bonnet	1.4408	H4 Art. No. 4624.	2204
	p [bar _g]	S/G/L	0.5 – 250
	p [psig]		7.3 – 3625

Type 462 Refrigeration technology

DN_E	15, 20	15, 20, 25	25
DN_A	20	25	32
Actual Orifice diameter d_0 [mm]	13	13	17,5
Actual Orifice area A_0 [mm ²]	133	133	241
Weight [kg]	3.1	3.1	3.9
O-ring material		NBR "N" J30	
		CR "K" J21	
		EPDM "D" J22	
Outlet body investment casted			
Inlet + Outlet PN 40			
Inlet body	1.4404	H2 Art. No. 4622.	3882
Outlet body	1.0619		
Bonnet	1.0619		
	p [bar _g]	D/G/F 0,5 –	40

Also all other LESER valve types can be designed for refrigeration technology.

¹⁾ Max. set pressure 69 bar / 1000 psig for Type 4623 acc. to ASME-Code Sec. VIII, Div. 1 with UV-Stamp.
The design of Type 4623 is permitted with limitations acc. to ASME-Code Sec. VIII, Div. 1, UCD-2, UCD-3.
Type 4623 shall not be used for lethal substances, irrespective of their state of aggregation.

²⁾ d_0 9 + 13: O-ring 90 Shore for set pressure > 100 bar

³⁾ d_0 9 + 13: O-ring 90 Shore for set pressure > 40 bar

Type 462

Dimensions and weights

Threaded connections [Metric units]

		1/2" x 1"	3/4" x 1"	1" x 1"	1/2" x 1"	3/4" x 1"	1" x 1"	3/4" x 1 1/2"	1" x 1 1/2"	1 1/4" x 1 1/2"	1 1/2" x 1 1/2"
Size Outlet body		1/2" x 1"	3/4" x 1"	1" x 1"	1/2" x 1"	3/4" x 1"	1" x 1"	3/4" x 1 1/2"	1" x 1 1/2"	1 1/4" x 1 1/2"	1 1/2" x 1 1/2"
Actual Orifice diameter d ₀ [mm]		9	9	9	13	13	13	17.5	17.5	17.5	17.5
Actual Orifice area A ₀ [mm ²]		63.6	63.6	63.6	133	133	133	241	241	241	241
Weight	[kg]	3.1	3.1	3.1	3.1	3.1	3.1	3.9	3.9	3.9	3.9
Balanced bellows	[kg]	3.9	3.9	3.9	3.9	3.9	3.9	4.7	4.7	4.7	4.7
Required installation diameter d	[mm]	165	165	165	165	165	165	165	165	165	165

Inlet thread female

		1/2" x 1"	3/4" x 1"	1" x 1"	1/2" x 1"	3/4" x 1"	1" x 1"	3/4" x 1 1/2"	1" x 1 1/2"	1 1/4" x 1 1/2"	1 1/2" x 1 1/2"
Size Outlet body		1/2" x 1"	3/4" x 1"	1" x 1"	1/2" x 1"	3/4" x 1"	1" x 1"	3/4" x 1 1/2"	1" x 1 1/2"	1 1/4" x 1 1/2"	1 1/2" x 1 1/2"
Actual Orifice diameter d ₀ [mm]		9	9	9	13	13	13	17.5	17.5	17.5	17.5
Center to face / Height											
DIN ISO 228-1 G	Inlet a	53	56	62	53	56	62	60	66	67	73
ASME B1.20.1 NPT	Outlet b	75	75	75	75	75	75	75	75	75	75
Center to face [mm]	H max.	283	286	292	283	286	292	287	293	294	300
Height [mm]	Balanced bellows H max.	315	318	324	315	318	324	319	325	326	332
ISO 7-1/BS 21 Rc	Inlet a	53	56	64	53	56	64	60	68	-	77
Center to face [mm]	Outlet b	75	75	75	75	75	75	75	75	-	75
Height [mm]	H max.	283	286	294	283	286	294	287	295	-	304
	Balanced bellows H max.	315	318	326	315	318	326	319	327	-	336

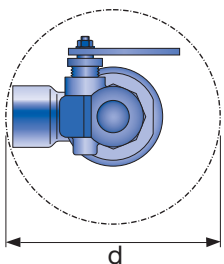
Inlet thread male

		1" - 1 1/2"	1" - 1 1/2"	1 1/2"	2"
Size outlet body		1" - 1 1/2"	1" - 1 1/2"	1 1/2"	2"
Actual Orifice diameter d ₀ [mm]		9	13	17.5	17.5
Center to face [mm]					
DIN ISO 228-1 G	Inlet 1/2" - 1" a	52	52	-	-
	Inlet 1" - 1 1/2" a	-	-	56	-
	Outlet b	75	75	75	-
ISO 7-1/BS 21 R	Inlet 1/2" - 1" a	49	49	-	-
ASME B1.20.1 NPT	Inlet 1" - 2" a¹⁾	-	-	53	53
	Outlet b	75	75	75	100
Height [mm]					

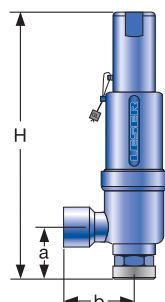
		Conventional design							Balanced bellows					
Size inlet thread		1/2"	3/4"	1"	1 1/4"	1 1/2"	2"	1/2"	3/4"	1"	1 1/4"	1 1/2"	2"	
DIN ISO 228-1 G	H max.	296	298	301	303	305	-	328	330	333	335	337	-	
ISO 7-1/BS 21 R	H max.	298	299	303	-	305	-	330	331	335	-	337	-	
ASME B1.20.1 NPT	H max.	301	301	307	307	308	309	333	333	339	340	340	341	

		1/2"	3/4"	1"	1 1/4"	1 1/2"	2"
Size inlet thread		1/2"	3/4"	1"	1 1/4"	1 1/2"	2"
DIN ISO 228-1 G		14	16	18	20	22	24
ISO 7-1/BS 21 R		19	20	23	25	25	-
ASME B1.20.1 NPT		22	22	27	28	28	29

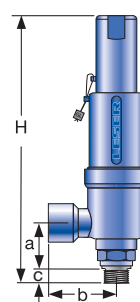
¹⁾ Inlet thread R only up to 1 1/2".



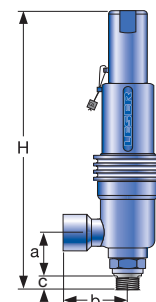
Required installation diameter



Conventional design - Female thread



Conventional design - Male thread



Balanced bellows

Type 462

Dimensions and weights

Threaded connections [US units]

Size Outlet body		1/2" x 1"	3/4" x 1"	1" x 1"	1/2" x 1"	3/4" x 1"	1" x 1"	3/4" x 1 1/2"	1" x 1 1/2"	1 1/4" x 1 1/2"	1 1/2" x 1 1/2"
Actual Orifice diameter d ₀ [inch]		0.354	0.354	0.354	0.512	0.512	0.512	0.689	0.689	0.689	0.689
Actual Orifice area A ₀ [inch ²]		0.099	0.099	0.099	0.206	0.206	0.206	0.374	0.374	0.374	0.374
Weight [lbs]		6.8	6.8	6.8	6.8	6.8	6.8	8.6	8.6	8.6	8.6
Balanced bellows [lbs]		8.6	8.6	8.6	8.6	8.6	8.6	10.4	10.4	10.4	10.4
Required installation diameter d [inch]		6 1/2	6 1/2	6 1/2	6 1/2	6 1/2	6 1/2	6 1/2	6 1/2	6 1/2	6 1/2

Inlet thread female

Size Outlet body		1/2" x 1"	3/4" x 1"	1" x 1"	1/2" x 1"	3/4" x 1"	1" x 1"	3/4" x 1 1/2"	1" x 1 1/2"	1 1/4" x 1 1/2"	1 1/2" x 1 1/2"	
Actual Orifice diameter d ₀ [inch]		0.354	0.354	0.354	0.512	0.512	0.512	0.689	0.689	0.689	0.689	
Center to face / Height												
DIN ISO 228-1 ASME B1.20.1	G NPT	Inlet a	2 ³ / ₃₂	2 ⁷ / ₃₂	2 ⁷ / ₁₆	2 ³ / ₃₂	2 ⁷ / ₃₂	2 ⁷ / ₁₆	2 ³ / ₈	2 ¹⁹ / ₃₂	2 ⁵ / ₈	2 ⁷ / ₈
		Center to face [inch]	Outlet b	2 ¹⁵ / ₁₆	2 ¹⁵ / ₁₆	2 ¹⁵ / ₁₆	2 ¹⁵ / ₁₆	2 ¹⁵ / ₁₆	2 ¹⁵ / ₁₆	2 ¹⁵ / ₁₆	2 ¹⁵ / ₁₆	2 ¹⁵ / ₁₆
Height [inch]	Balanced bellows	H max.	11 ⁵ / ₃₂	11 ¹ / ₁₄	11 ¹ / ₂	11 ⁵ / ₃₂	11 ¹ / ₄	11 ¹ / ₂	11 ⁵ / ₁₆	11 ¹⁷ / ₃₂	11 ⁹ / ₁₆	11 ¹³ / ₁₆
		H max.	12 ¹³ / ₃₂	12 ¹⁷ / ₃₂	12 ³ / ₄	12 ¹³ / ₃₂	12 ¹⁷ / ₃₂	12 ³ / ₄	12 ⁹ / ₁₆	12 ²⁵ / ₃₂	12 ²⁷ / ₃₂	13 ¹ / ₁₆
ISO 7-1/BS 21	Rc	Inlet a	2 ³ / ₃₂	2 ⁷ / ₃₂	2 ¹⁷ / ₃₂	2 ³ / ₃₂	2 ⁷ / ₃₂	2 ¹⁷ / ₃₂	2 ³ / ₈	2 ¹¹ / ₁₆	–	3 ¹ / ₃₂
		Center to face [inch]	Outlet b	2 ¹⁵ / ₁₆	2 ¹⁵ / ₁₆	2 ¹⁵ / ₁₆	2 ¹⁵ / ₁₆	2 ¹⁵ / ₁₆	2 ¹⁵ / ₁₆	2 ¹⁵ / ₁₆	2 ¹⁵ / ₁₆	–
Height [inch]	Balanced bellows	H max.	11 ⁵ / ₃₂	11 ¹ / ₁₄	11 ⁹ / ₁₆	11 ⁵ / ₃₂	11 ¹ / ₁₄	11 ⁹ / ₁₆	11 ⁵ / ₁₆	11 ⁵ / ₈	–	11 ³¹ / ₃₂
		H max.	12 ¹³ / ₃₂	12 ¹⁷ / ₃₂	12 ²⁷ / ₃₂	12 ¹³ / ₃₂	12 ¹⁷ / ₃₂	12 ²⁷ / ₃₂	12 ⁹ / ₁₆	12 ⁷ / ₈	–	13 ⁷ / ₃₂

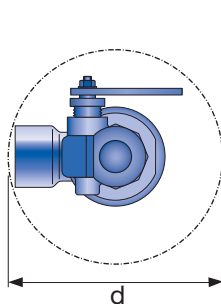
Inlet thread male

Size outlet body		1" – 1 1/2"	1" – 1 1/2"	1 1/2"	2"	
Actual Orifice diameter d ₀ [mm]		0.354	0.512	0.689	0.689	
Center to face [inch]						
DIN ISO 228-1	G	Inlet 1/2" – 1" a	2 ¹ / ₁₆	2 ¹ / ₁₆	–	
		Inlet 1" – 1 1/2" a	–	–	2 ⁷ / ₃₂	
		Outlet b	2 ¹⁵ / ₁₆	2 ¹⁵ / ₁₆	2 ¹⁵ / ₁₆	
ISO 7-1/BS 21	R	Inlet 1/2" – 1" a	1 ¹⁵ / ₁₆	1 ¹⁵ / ₁₆	–	
		ASME B1.20.1	NPT	Inlet 1" – 2" a ¹⁾	–	2 ³ / ₃₂
				Outlet b	2 ¹⁵ / ₁₆	2 ¹⁵ / ₁₆

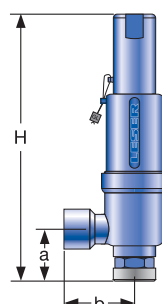
Height [inch]		Conventional design					Balanced bellows							
Size inlet thread		1/2"	3/4"	1"	1 1/4"	1 1/2"	2"	1/2"	3/4"	1"	1 1/4"	1 1/2"	2"	
DIN ISO 228-1	G	H max.	11 ²¹ / ₃₂	11 ²³ / ₃₂	11 ²⁷ / ₃₂	11 ¹⁵ / ₁₆	12	–	12 ²⁹ / ₃₂	13	13 ¹ / ₈	13 ³ / ₁₆	13 ⁹ / ₃₂	–
		H max.	11 ²³ / ₃₂	11 ²⁵ / ₃₂	11 ¹⁵ / ₁₆	–	12	–	13	13 ¹ / ₃₂	13 ³ / ₁₆	–	13 ⁹ / ₃₂	–
ASME B1.20.1	NPT	H max.	11 ²⁷ / ₃₂	11 ²⁷ / ₃₂	12 ³ / ₃₂	12 ¹ / ₈	12 ¹ / ₈	12 ⁵ / ₃₂	13 ¹ / ₈	13 ¹ / ₈	13 ¹¹ / ₃₂	13 ³ / ₈	13 ³ / ₈	13 ⁷ / ₁₆

Length of screwed end c [inch]		Size inlet thread					
		1/2"	3/4"	1"	1 1/4"	1 1/2"	2"
DIN ISO 228-1	G	9/16	5/8	23/32	25/32	7/8	15/16
ISO 7-1/BS 21	R	3/4	25/32	29/32	31/32	31/32	–
ASME B1.20.1	NPT	7/8	7/8	1 1/16	1 3/32	1 3/32	1 5/32

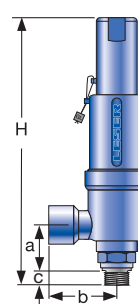
¹⁾ Inlet thread R only up to 1 1/2".



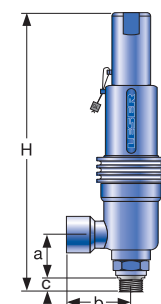
Required installation diameter



Conventional design – Female thread



Conventional design – Male thread



Balanced bellows

Type 462

Dimensions and weights

Flanged connections [Metric units]

	Conventional design			Balanced bellows		
Actual Orifice diameter d_0 [mm]	9	13	17.5	9	13	17.5
Actual Orifice area A_0 [mm ²]	63.6	133	241	63.6	133	241

DIN EN 1092-1

Flange rating PN 40 – 400								
Center to face	[mm]	Inlet a	100	100	105	100	100	105
		Outlet b	100	100	100	100	100	100
Height	[mm]	H max.	330	330	333	375	375	378

ASME B 16.5

Flange rating class 150 – 2500								
Center to face	[mm]	Inlet a	100	100	105	100	100	105
		Outlet b	100	100	100	100	100	100
Height	[mm]	H max.	330	330	333	375	375	378

Note The outlet dimension b can differ at special combinations of nominal diameter and pressure range if flanged connections are used at the inlet and outlet. Special dimensions are possible. More information at sales@leser.com.

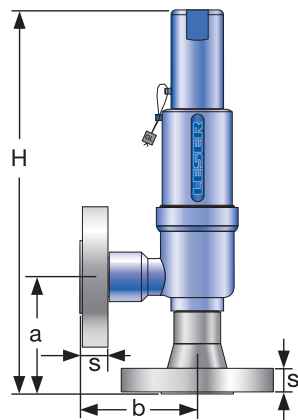
Weight

For the calculation of the total weight please use the Formular: $W_T = W_N + W_F(\text{Inlet}) + W_F(\text{Outlet})$

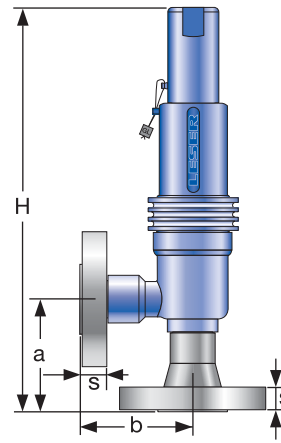
Weight net	[kg]	m_N	3.1	3.1	3.5	4.3	4.3	4.7
(without inlet and outlet flange)								

Flange dimensions

		DIN EN 1092-1 / Flange rating PN						ASME B16.5 / Flange rating class					
		Size						Size					
		40	100	160	250	320	400	150	300	600	900	1500	2500
DN 15								NPS 1/2"					
Flange thickness	[mm] s	18	-	22	28	28	30	14	18	18	26	26	30.2
Weight slip on flange	[kg] m_F	0.8	-	1.2	2.5	2.5	3.6	0.6	0.9	0.9	2.1	2.1	3
DN 20								NPS 3/4"					
Flange thickness	[mm] s	20	22	-	-	-	-	15	18	18	25.4	25.4	32
Weight slip on flange	[kg] m_F	1.1	1.3	-	-	-	-	0.8	1.4	1.4	2.3	2.3	3.5
DN 25								NPS 1"					
Flange thickness	[mm] s	22	-	26	30	36	40	17	21.5	21.5	32.5	32.5	40
Weight slip on flange	[kg] m_F	1.3	-	2.6	3.5	5	7.5	1	2.1	2.1	4.1	4.1	5.1
DN 40								NPS 1 1/2"					
Flange thickness	[mm] s	21	-	23	32	-	-	22	24	24	32	-	-
Weight slip on flange	[kg] m_F	2.1	-	2.9	4.3	-	-	1.4	2.2	2.2	3.9	-	-



Conventional design



Balanced bellows

Type 462

Type 462

Dimensions and weights

Flanged connections [US units]

	Conventional design			Balanced bellows		
Actual Orifice diameter d_0 [inch]	0.354	0.512	0.689	0.354	0.512	0.689
Actual Orifice area A_0 [inch ²]	0.099	0.206	0.374	0.099	0.206	0.374

DIN EN 1092-1

Flange rating PN 40 – 400

Center to face	[inch]	Inlet a	3 ¹⁵ / ₁₆	3 ¹⁵ / ₁₆	4 ¹ / ₈	3 ¹⁵ / ₁₆	3 ¹⁵ / ₁₆	4 ¹ / ₈
		Outlet b	3 ¹⁵ / ₁₆	3 ¹⁵ / ₁₆	3 ¹⁵ / ₁₆	3 ¹⁵ / ₁₆	3 ¹⁵ / ₁₆	3 ¹⁵ / ₁₆
Height	[inch]	H max.	13	13	13 ¹ / ₈	14 ³ / ₄	14 ³ / ₄	14 ⁷ / ₈

ASME B 16.5

Flange rating class 150 – 2500

Center to face	[inch]	Inlet a	3 ¹⁵ / ₁₆	3 ¹⁵ / ₁₆	4 ¹ / ₈	3 ¹⁵ / ₁₆	3 ¹⁵ / ₁₆	4 ¹ / ₈
		Outlet b	3 ¹⁵ / ₁₆	3 ¹⁵ / ₁₆	3 ¹⁵ / ₁₆	3 ¹⁵ / ₁₆	3 ¹⁵ / ₁₆	3 ¹⁵ / ₁₆
Height	[inch]	H max.	13	13	13 ¹ / ₈	14 ³ / ₄	14 ³ / ₄	14 ⁷ / ₈

Note The outlet dimension b can differ at special combinations of nominal diameter and pressure range if flanged connections are used at the inlet and outlet. Special dimensions are possible. More information at sales@leser.com.

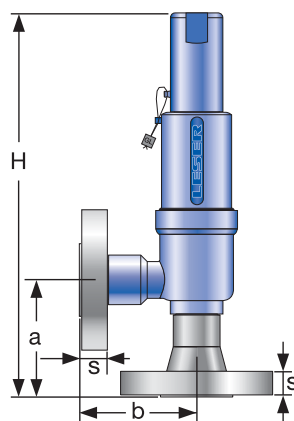
Weight

For the calculation of the total weight please use the Formular: $W_T = W_N + W_F(\text{Inlet}) + W_F(\text{Outlet})$

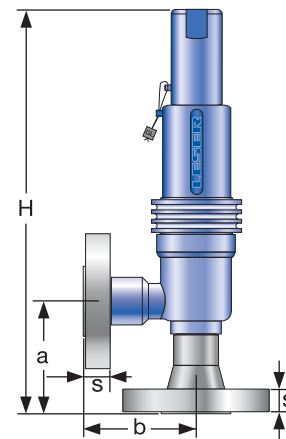
Weight net	[lbs]	m_N	6.8	6.8	7.7	9.5	9.5	10.4
(without inlet and outlet flange)								

Flange dimensions

		DIN EN 1092-1 / Flange rating PN						ASME B16.5 / Flange rating class					
		Size						Size					
		40	100	160	250	320	400	150	300	600	900	1500	2500
DN 15		NPS 1/2"											
Flange thickness [mm]	s	2 ³ / ₃₂	-	7/8	1 ³ / ₃₂	1 ³ / ₃₂	1 ³ / ₁₆	9/16	2 ³ / ₃₂	2 ³ / ₃₂	1 ¹ / ₃₂	1 ¹ / ₃₂	1 ³ / ₁₆
Weight slip on flange [lbs]	m_F	1.8	-	2.6	5.5	5.5	7.9	1.3	2.0	2.0	4.6	4.6	6.6
DN 20		NPS 3/4"											
Flange thickness [mm]	s	2 ⁵ / ₃₂	7/8	-	-	-	-	1 ⁹ / ₃₂	2 ³ / ₃₂	2 ³ / ₃₂	1	1	1 ¹ / ₄
Weight slip on flange [lbs]	m_F	2.4	2.9	-	-	-	-	1.8	3.1	3.1	5.1	5.1	7.7
DN 25		NPS 1"											
Flange thickness [mm]	s	7/8	-	1 ¹ / ₃₂	1 ³ / ₁₆	1 ³ / ₃₂	1 ⁹ / ₁₆	2 ¹ / ₃₂	2 ⁷ / ₃₂	2 ⁷ / ₃₂	1 ⁹ / ₃₂	1 ⁹ / ₃₂	1 ⁹ / ₁₆
Weight slip on flange [lbs]	m_F	2.9	-	5.7	7.7	11.0	16.5	2.2	4.6	4.6	9.0	9.0	11.2
DN 40		NPS 1 1/2"											
Flange thickness [mm]	s	1 ³ / ₁₆	-	2 ⁹ / ₃₂	1 ¹ / ₄	-	-	7/8	1 ⁵ / ₁₆	1 ⁵ / ₁₆	1 ¹ / ₄	-	-
Weight slip on flange [lbs]	m_F	4.5	-	6.3	9.5	-	-	3.2	4.8	4.8	8.6	-	-



Conventional design



Balanced bellows

Type 462

Pressure/temperature ratings

Metric units

Actual Orifice diameter d_0 [mm]		9			13			17.5					
Actual Orifice Area A_0 [mm ²]		63.6			133			241					
Body material: 1.4104 (430F)												Type 4623	
Base / Inlet Body	Connection size	1/2"	3/4"	1"	1/2"	3/4"	1"	3/4"	1"	1 1/4"	1 1/2"	2"	
	Pressure rating	PN 400			PN 250			PN 160					
Outlet body	Pressure rating	PN 40			PN 40			PN 40					
Minimum set pressure	p [bar _g] S/G/L	0.5			0.5			0.5					
Min. set pressure standard bellows	p [bar _g] S/G/L	3			3			3					
Min. set pressure¹⁾ high press. bellows	p [bar _g] S/G/L	40			40			40					
Maximum set pressure	p [bar _g] S/G/L	250			180			92.5					
Temperature acc. to DIN EN³⁾	min. [°C]				-10 ²⁾								
	max. [°C]				+150								
Temperature acc. to ASME³⁾	min. [°C]				-29								
	max. [°C]				+150								
Body material: 1.4404 (316L)												Type 4622	
Base / Inlet Body	Connection size	1/2"	3/4"	1"	1/2"	3/4"	1"	3/4"	1"	1 1/4"	1 1/2"	2"	
	Pressure rating	PN 250			PN 160			PN 160					
Outlet Body	Pressure rating	PN 160			PN 160			PN 160					
Minimum set pressure	p [bar _g] S/G/L	0.5			0.5			0.5					
Min. set pressure standard bellows	p [bar _g] S/G/L	3			3			3					
Min. set pressure¹⁾ high press. bellows	p [bar _g] S/G/L	40			40			40					
Maximum set pressure	p [bar _g] S/G/L	250			180			92.5					
Temperature acc. to DIN EN³⁾	min. [°C]				-45								
	max. [°C]				+150								
Temperature acc. to ASME³⁾	min. [°C]				-29								
	max. [°C]				+150								
Body material: 1.4404 (316L)												Type 4624	
Base / Inlet Body	Connection size	1/2"	3/4"	1"	1/2"	3/4"	1"	3/4"	1"	1 1/4"	1 1/2"	2"	
	Pressure rating	PN 250			PN 160			PN 160					
Outlet Body	Pressure rating	PN 160			PN 160			PN 160					
Minimum set pressure	p [bar _g] S/G/L	0.5			0.5			0.5					
Min. set pressure standard bellows	p [bar _g] S/G/L	3			3			3					
Min. set pressure¹⁾ high press. bellows	p [bar _g] S/G/L	40			40			40					
Maximum set pressure	p [bar _g] S/G/L	250			180			92.5					
Temperature acc. to DIN EN³⁾	min. [°C]				-45								
	max. [°C]				+150								
Temperature acc. to ASME³⁾	min. [°C]				-45								
	max. [°C]				+150								

¹⁾ Min. set pressure high pressure bellows = Max. pressure standard bellows.

²⁾ For DIN EN applications at temperatures under -10°C please proceed according to AD 2000-Merkblatt W10.

³⁾ The temperature is limited by the soft seal material. The stated values are valid for EPDM.

Type 462

Pressure/temperature ratings

US units

Actual Orifice diameter d_0 [inch]		0.354			0.512			0.689				
Actual Orifice Area A_0 [inch ²]		0.099			0.206			0.374				
Body material: 1.4104 (430F) Type 4623												
Base / Inlet body	Connection size	1/2"	3/4"	1"	1/2"	3/4"	1"	3/4"	1"	1 1/4"	1 1/2"	2"
Minimum set pressure	p [psig] S/G/L	7.3			7.3			7.3				
Min. set pressure standard bellows	p [psig] S/G/L	43.5			43.5			43.5				
Min. set pressure¹⁾ high press. bellows	p [psig] S/G/L	580			580			580				
Maximum set pressure	p [psig] S/G/L	3625			2610			1342				
Temperature	min. [°F]				+14 ²⁾							
acc. to DIN EN ³⁾	max. [°F]				+302							
Temperature	min. [°F]				-20							
acc. to ASME ³⁾	max. [°F]				+302							
Body material: 1.4404 (316L) Type 4622												
Base / Inlet body	Connection size	1/2"	3/4"	1"	1/2"	3/4"	1"	3/4"	1"	1 1/4"	1 1/2"	2"
Minimum set pressure	p [psig] S/G/L	7.3			7.3			7.3				
Min. set pressure standard bellows	p [psig] S/G/L	43.5			43.5			43.5				
Min. set pressure¹⁾ high press. bellows	p [psig] S/G/L	580			580			580				
Maximum set pressure	p [psig] S/G/L	3625			2610			1342				
Temperature	min. [°F]				-49							
acc. to DIN EN ³⁾	max. [°F]				+302							
Temperature	min. [°F]				-20							
acc. to ASME ³⁾	max. [°F]				+302							
Body material: 1.4404 (316L) Type 4624												
Base / Inlet body	Connection size	1/2"	3/4"	1"	1/2"	3/4"	1"	3/4"	1"	1 1/4"	1 1/2"	2"
Minimum set pressure	p [psig] S/G/L	7.3			7.3			7.3				
Min. set pressure standard bellows	p [psig] S/G/L	43.5			43.5			43.5				
Min. set pressure¹⁾ high press. bellows	p [psig] S/G/L	580			580			580				
Maximum set pressure	p [psig] S/G/L	3625			2610			1342				
Temperature	min. [°F]				-49							
acc. to DIN EN ³⁾	max. [°F]				+302							
Temperature	min. [°F]				-49							
acc. to ASME ³⁾	max. [°F]				+302							

¹⁾ Min. set pressure high pressure bellows = Max. pressure standard bellows.

²⁾ For DIN EN applications at temperatures under -10°C please proceed according to AD 2000-Merkblatt W10.

³⁾ The temperature is limited by the soft seal material. The stated values are valid for EPDM.

Type 462 Approvals

Actual Orifice diameter d_0 [mm]	9	13	17.5
Actual Orifice area A_0 [mm ²]	63.6	133	241
Actual Orifice diameter d_0 [inch]	0.354	0.512	0.689
Actual Orifice area A_0 [inch ²]	0.099	0.206	0.374
Europe		Coefficient of discharge K_{dr}	
	Approval No.	072021409Z0022/15/D/0135	
PED / DIN EN ISO 4126-1	S/G	0.83	0.79
	L	0.61	0.52
Germany		Coefficient of discharge α_w	
	Approval No.	TÜV SV 909	
PED / AD 2000-Merkblatt A2	S/G	0.83	0.79
	L	0.61	0.52
United States		Coefficient of discharge K	
	Approval No.	M 37112	
ASME Sec. VIII Div. 1	S/G	0.811	
	Approval No.	M 37101	
	L	0.566	
Canada		Coefficient of discharge K	
	Approval No.	The current approval no. can be found at www.leser.com	
CRN	S/G	0.811	
	L	0.566	
China		Coefficient of discharge α_w	
	Approval No.	The current approval no. can be found at www.leser.com	
AQSIQ	S/G	0.83	0.79
	L	0.61	0.52
Eurasian Custom Union		Coefficient of discharge α_w	
	Approval No.	The current approval no. can be found at www.leser.com	
EAC	S/G	0.83	0.79
	L	0.61	0.52
Classification societies		Homepage	
Bureau Veritas	BV	www.bureauveritas.com	The valid certification number is changed with every renewal.
DNV GL	DNV	www.dnvgl.com	
Lloyd's Register EMEA	LREMEA	www.lr.org	A sample certificate including the valid certification number can be found at www.leser.com
Registro Italiano Navale	RINA	www.rina.org	
U.S. Coast Guard	U.S.C.G	www.uscg.org	

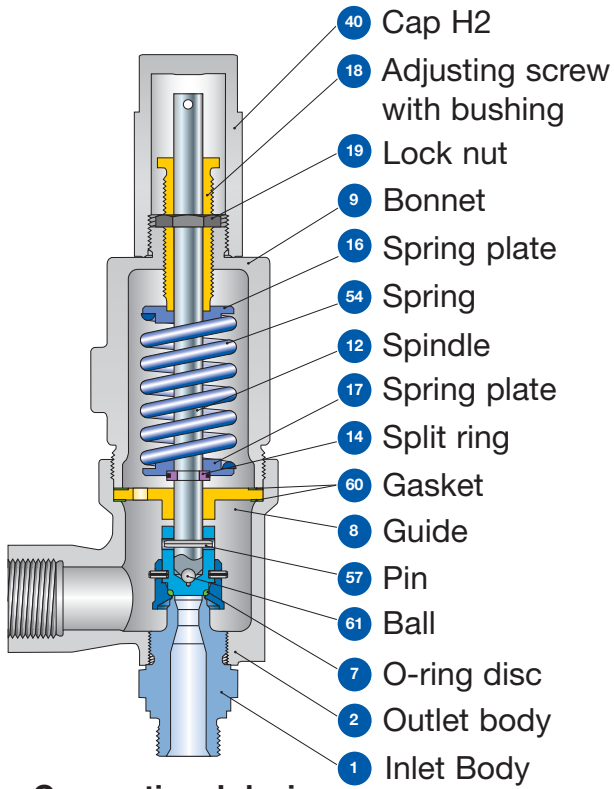


Type 462 HDD
Cap H2

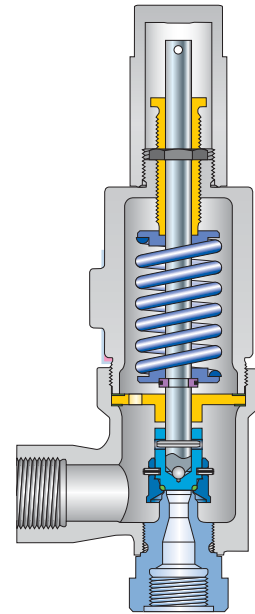
**Type 462 HDD
Safety Relief Valves**

Contents	Page
Designs	74
Materials	75
Article numbers	76
Dimensions and weights	
• Threaded connections	77
• Flanged connections	79
Pressure / temperature ratings	81
Approvals	82
Series 459	
Available options	83
Available connections	
• Threaded connections	84
• Flanged connections	85
LESER Original Spare Parts Kits	86

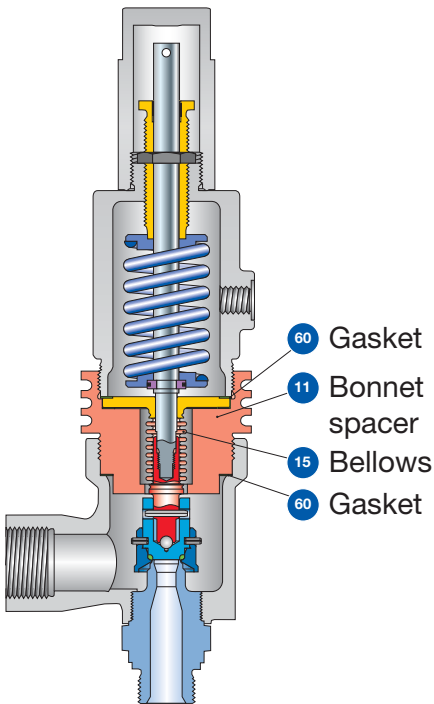
Type 462 HDD
Designs



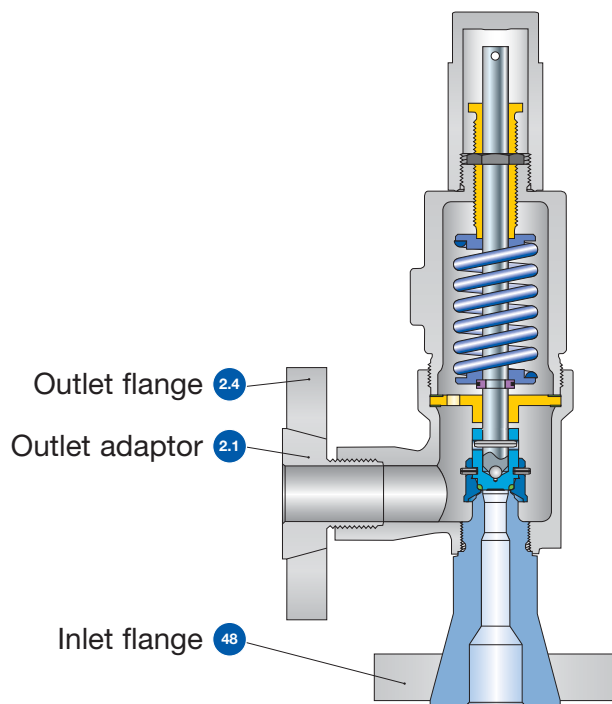
Conventional design
Threaded connection



Conventional design
Threaded connection



Balanced bellows
Threaded connection



Conventional design
Flange connection

Type 462 HDD

Materials

Item	Component	Design	Type 4624 HDD
1	Base / Inlet body	Threaded connection	1.4404 SA 479 316L
		Flange connection	1.4404 SA 479 316L
2	Outlet body		1.4408 CF8M
2.1	Outlet adaptor	Flange connection	1.4404 316L
2.4	Outlet flange	Flange connection	1.4404 316L
7	O-ring disc		1.4404 SA 479 316L
			NBR Nitrile-Butadiene
7.4	Soft seal O-ring	"N" ¹⁾	CR Chloroprene
		"K" ¹⁾	EPDM Ethylen-Propylene-Diene
		"D" ¹⁾	FKM Fluorocarbon
		"L" ¹⁾	FFKM Perfluor
		"C" ²⁾	
8	Guide		1.4404 316L
		Balanced bellows design	1.4404 / SA 316L Upper conn. part of balanced bellows
9	Bonnet		1.4408 CF8M
		Balanced bellows design	1.4408 CF8M
11	Bonnet spacer		1.4404 316L
		Balanced bellows design	
12	Spindle		1.4404 316L
		Balanced bellows design	1.4404 316L
14	Split ring		1.4404 316L
15	Bellows		1.4571 316Ti
		Balanced bellows design	
16/17	Spring plate		1.4404 316L
18	Adjusting screw with bushing		1.4404 / PTFE 316L / PTFE
19	Lock nut		1.4404 316L
40	Cap H2		1.4404 316L
48	Inlet flange	Flange connection	1.4404 316L
54	Spring	Standard	1.4310 Stainless steel
57	Pin		1.4310 Stainless steel
60	Gasket		Graphite / 1.4301 Graphite / 316L
61	Ball		1.4401 316

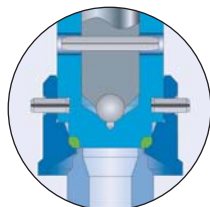
Please notice:

- Modifications reserved by LESER.
- LESER can upgrade materials without notice.
- Every part can be replaced by other material acc. to customer specification.
- The materials shall meet the requirements of the relevant regulations (Pressure Equipment Directive (PED), acc. to PED applied harmonized standards, AD 2000-Merkblätter, VdTÜV (Werkstoffblätter) as well as further materials listed in Section 8 of the Type-Examination.

¹⁾ O-ring 90 Shore for set pressures > 100 bar

²⁾ O-ring 90 Shore for set pressures > 40 bar

Type 462 HDD
Article numbers



O-ring disc

Actual Orifice diameter d_0 [mm]				9
Actual Orifice area A_0 [mm ²]				63,9
Actual Orifice diameter d_0 [inch]				0.354
Actual Orifice area A_0 [inch ²]				0.099
O-ring material				NBR "N" J30 ¹⁾
				CR "K" J21 ¹⁾
				EPDM "D" J22 ¹⁾
				FKM "L" J23 ¹⁾
				FFKM "C" J20 ²⁾
Body material: 1.4404 (316L)				
Outlet body	1.4408 CF8M	H2	Art. No. 4624.	2152
Bonnet	1.4404 1.4408	H4	Art. No. 4624.	2154
p [bar _g]	S/G/L			250.01 – 350
p [psig]				3625 – 5076

¹⁾ O-ring 90 Shore for set pressures > 100 bar

²⁾ O-ring 90 Shore for set pressures > 40 bar

Type 462 HDD

Dimensions and weights

Threaded connections [Metric units]

		1/2" x 1"	3/4" x 1"	1" x 1"
Size Outlet body		1/2" x 1"	3/4" x 1"	1" x 1"
Actual Orifice diameter d ₀ [mm]		9	9	9
Actual Orifice area A ₀ [mm ²]		63.6	63.6	63.6
Weight	[kg]	3.1	3.1	3.1
Balanced bellows	[kg]	3.9	3.9	3.9
Required installation diameter d	[mm]	165	165	165

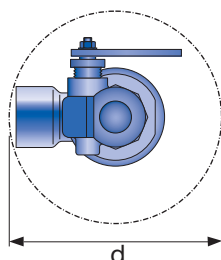
Inlet thread female

		1/2" x 1"	3/4" x 1"	1" x 1"
Size Outlet body		1/2" x 1"	3/4" x 1"	1" x 1"
Actual Orifice diameter d ₀ [mm]		9	9	9
Center to face / Height				
DIN ISO 228-1 G	Inlet a	53	56	62
ASME B1.20.1 NPT	Outlet b	75	75	75
Center to face [mm]	H max.	283	286	292
Height [mm]	Balanced bellows H max.	315	318	324
ISO 7-1/BS 21 Rc	Inlet a	53	56	64
Center to face [mm]	Outlet b	75	75	75
Height [mm]	H max.	283	286	294
Balanced bellows	H max.	315	318	326

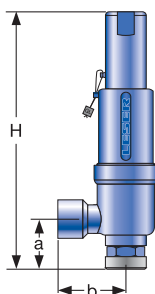
Inlet thread male

		1"
Size outlet body		1"
Actual Orifice diameter d ₀ [mm]		9
Center to face [mm]		
DIN ISO 228-1 G	Inlet a	52
	Outlet b	75
ISO 7-1/BS 21 R	Inlet a	49
ASME B1.20.1 NPT	Outlet b	75
Height [mm]		
	Size inlet thread	
		Conventional design
		1/2" 3/4" 1"
DIN ISO 228-1 G	H max.	296 298 301
ISO 7-1/BS 21 R	H max.	298 299 303
ASME B1.20.1 NPT	H max.	301 301 307
		Balanced bellows
		1/2" 3/4" 1"
		328 330 333
		330 331 335
		333 333 339

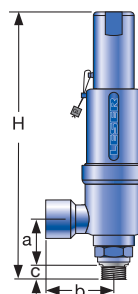
Length of screwed end c [mm]				
		1/2"	3/4"	1"
DIN ISO 228-1 G		14	16	18
ISO 7-1/BS 21 R		19	20	23
ASME B1.20.1 NPT		22	22	27



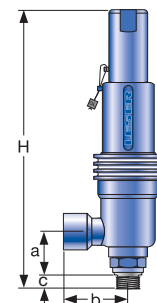
Required installation diameter



Conventional design – female thread



Conventional design – male thread



Balanced bellows

Type 462 HDD

Dimensions and weights

Threaded connections [US units]

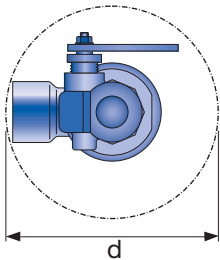
Size Outlet body		1/2" x 1"	3/4" x 1"	1" x 1"
Actual Orifice diameter d ₀ [inch]		0.354	0.354	0.354
Actual Orifice area A ₀ [inch ²]		0.099	0.099	0.099
Weight	[lbs]	6.8	6.8	6.8
Balanced bellows	[lbs]	8.6	8.6	8.6
Required installation diameter d	[inch]	6 1/2	6 1/2	6 1/2

Inlet thread female

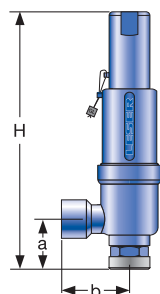
Size Outlet body		1/2" x 1"	3/4" x 1"	1" x 1"
Actual Orifice diameter d ₀ [inch]		0.354	0.354	0.354
Center to face / Height				
DIN ISO 228-1 G	Inlet a	2 ³ / ₃₂	2 ⁷ / ₃₂	2 ⁷ / ₁₆
ASME B1.20.1 NPT	Outlet b	2 ¹⁵ / ₁₆	2 ¹⁵ / ₁₆	2 ¹⁵ / ₁₆
Center to face [inch]	H max.	11 ⁵ / ₃₂	11 ¹ / ₁₄	11 ¹ / ₂
Height [inch]	Balanced bellows H max.	12 ¹³ / ₃₂	12 ¹⁷ / ₃₂	12 ³ / ₄
ISO 7-1/BS 21 Rc	Inlet a	2 ³ / ₃₂	2 ⁷ / ₃₂	2 ¹⁷ / ₃₂
Center to face [inch]	Outlet b	2 ¹⁵ / ₁₆	2 ¹⁵ / ₁₆	2 ¹⁵ / ₁₆
Height [inch]	H max.	11 ⁵ / ₃₂	11 ¹ / ₁₄	11 ⁹ / ₁₆
	Balanced bellows H max.	12 ¹³ / ₃₂	12 ¹⁷ / ₃₂	12 ²⁷ / ₃₂

Inlet thread male

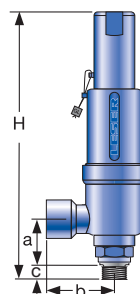
Size outlet body		1"	
Actual Orifice diameter d ₀ [inch]		0.354	
Center to face [inch]			
DIN ISO 228-1 G	Inlet a	2 ¹ / ₁₆	
	Outlet b	2 ¹⁵ / ₁₆	
ISO 7-1/BS 21 R	Inlet a	1 ¹⁵ / ₁₆	
ASME B1.20.1 NPT	Outlet b	2 ¹⁵ / ₁₆	
Height [inch]			
Size inlet thread	Conventional design	Balanced bellows	
	3/8" 1/2" 3/8"	1/2" 3/8" 1/2"	
DIN ISO 228-1 G	H max.	11 ²¹ / ₃₂ 11 ²³ / ₃₂ 11 ²⁷ / ₃₂ 12 ²⁹ / ₃₂ 13 13 ¹ / ₈	
ISO 7-1/BS 21 R	H max.	11 ²³ / ₃₂ 11 ²⁵ / ₃₂ 11 ¹⁵ / ₁₆ 13 13 ¹ / ₃₂ 13 ³ / ₁₆	
ASME B1.20.1 NPT	H max.	11 ²⁷ / ₃₂ 11 ²⁷ / ₃₂ 12 ³ / ₃₂ 13 ¹ / ₈ 13 ¹ / ₈ 13 ¹¹ / ₃₂	
Length of screwed end "c" [inch]			
Size inlet thread	1/2"	3/4"	1"
DIN ISO 228-1 G	9/16	5/8	23/32
ISO 7-1/BS 21 R	3/4	25/32	29/32
ASME B1.20.1 NPT	7/8	7/8	11/16



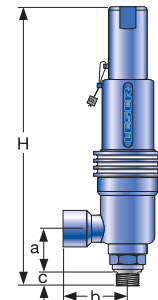
Required installation diameter



Conventional design – female thread



Conventional design – male thread



Balanced bellows

Type 462 HDD

Dimensions and weights

Flanged connections [Metric units]

	Conventional design	Balanced bellows
Actual Orifice diameter d_0 [mm]	9	9
Actual Orifice area A_0 [mm ²]	63.6	63.6

DIN EN 1092-1

Flange rating PN 40 – 400

Center to face [mm]	Inlet a	100	100
	Outlet b	100	100
Height [mm]	H max.	330	375

ASME B 16.5

Flange rating class 150 – 2500

Center to face [mm]	Inlet a	100	100
	Outlet b	100	100
Height [mm]	H max.	330	375

Note The outlet dimension b can differ at special combinations of nominal diameter and pressure range if flanged connections are used at the inlet and outlet. Special dimensions are possible. More information at sales@leser.com.

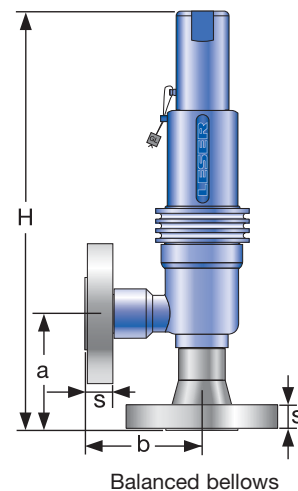
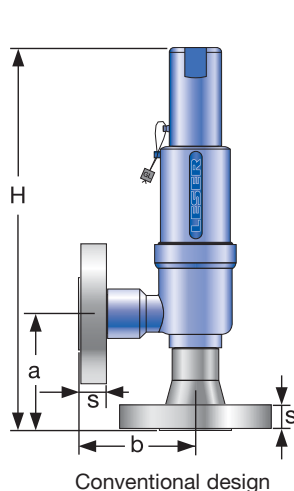
Weight

For the calculation of the total weight please use the Formular: $W_T = W_N + W_F$ (Inlet) + W_F (Outlet)

Weight net [kg] (without inlet and outlet flange) m_N	3.1	4.3
---	-----	-----

Flange dimensions

	Size	DIN EN 1092-1 / Flange rating PN						ASME B16.5 / Flange rating class							
		40	100	160	250	320	400	Size	150	300	600	900	1500	2500	
DN 15		NPS 1/2"													
Flange thickness [mm]	s	18	–	22	28	28	30		14	18	18	26	26	30.2	
Weight slip on flange [kg]	m_F	0.8	–	1.2	2.5	2.5	3.6		0.6	0.9	0.9	2.1	2.1	3	
DN 20		NPS 3/4"													
Flange thickness [mm]	s	20	22	–	–	–	–		15	18	18	25.4	25.4	32	
Weight slip on flange [kg]	m_F	1.1	1.3	–	–	–	–		0.8	1.4	1.4	2.3	2.3	3.5	
DN 25		NPS 1"													
Flange thickness [mm]	s	22	–	26	30	36	40		17	21.5	21.5	32.5	32.5	40	
Flange thickness [kg]	m_F	1.3	–	2.6	3.5	5	7.5		1	2.1	2.1	4.1	4.1	5.1	
DN 40		NPS 1 1/2"													
Flanschblattdicke [mm]	s	21	–	23	32	–	–		22	24	24	32	–	–	
Weight slip on flange [kg]	m_F	2.1	–	2.9	4.3	–	–		1.4	2.2	2.2	3.9	–	–	



Type 462 HDD

Dimensions and weights

Flanged connections [US units]

	Conventional design	Balanced bellows
Actual Orifice diameter d_0 [inch]	0.354	0.354
Actual Orifice area A_0 [inch ²]	0.099	0.099

DIN EN 1092-1

			Flange rating PN 40 – 400	
Center to face	[inch]	Inlet a	$3^{15}/_{16}$	$3^{15}/_{16}$
		Outlet b	$3^{15}/_{16}$	$3^{15}/_{16}$
Height	[inch]	H max.	13	$14^{3}/_{4}$

ASME B 16.5

			Flange rating class 150 – 2500	
Center to face	[inch]	Inlet a	$3^{15}/_{16}$	$3^{15}/_{16}$
		Outlet b	$3^{15}/_{16}$	$3^{15}/_{16}$
Height	[inch]	H max.	13	$14^{3}/_{4}$

Note The outlet dimension b can differ at special combinations of nominal diameter and pressure range if flanged connections are used at the inlet and outlet. Special dimensions are possible. More information at sales@leser.com.

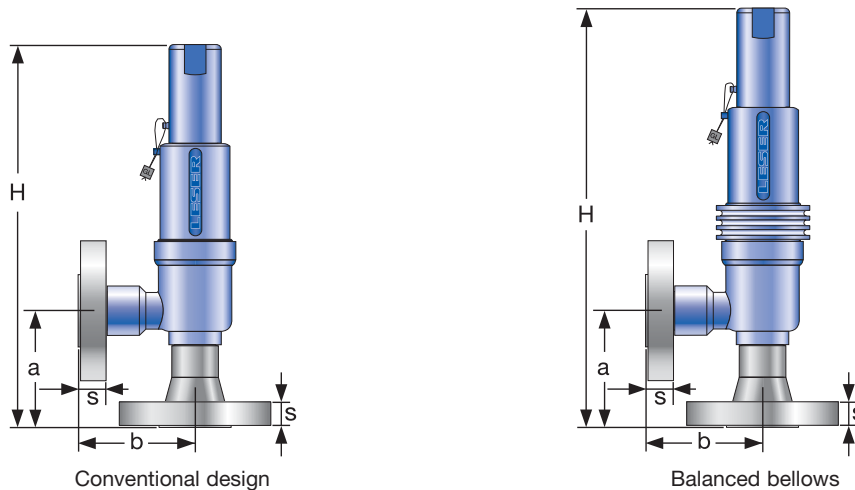
Weight

For the calculation of the total weight please use the Formular: $W_T = W_N + W_F$ (Inlet) + W_F (Outlet)

Weight net	[lbs]		6.8	9.5
(without inlet and outlet flange)	m_N			

Flange dimensions

		DIN EN 1092-1 / Flange rating PN						ASME B16.5 / Flange rating class					
		Size						Size					
		40	100	160	250	320	400	150	300	600	900	1500	2500
DN 15								NPS $1/2$ "					
Flange thickness	[inch] s	$2^{3}/_{32}$	–	$7/8$	$1^{3}/_{32}$	$1^{3}/_{32}$	$1^{3}/_{16}$	$9/16$	$2^{3}/_{32}$	$2^{3}/_{32}$	$1^{1}/_{32}$	$1^{1}/_{32}$	$1^{3}/_{16}$
Weight slip on flange	[lbs] m_F	1.8	–	2.6	5.5	5.5	7.9	1.3	2.0	2.0	4.6	4.6	6.6
DN 20								NPS $3/4$ "					
Flange thickness	[inch] s	$2^{5}/_{32}$	$7/8$	–	–	–	–	$1^{9}/_{32}$	$2^{3}/_{32}$	$2^{3}/_{32}$	1	1	$1^{1}/_{4}$
Weight slip on flange	[lbs] m_F	2.4	2.9	–	–	–	–	1.8	3.1	3.1	5.1	5.1	7.7
DN 25								NPS 1"					
Flange thickness	[inch] s	$7/8$	–	$1^{1}/_{32}$	$1^{3}/_{16}$	$1^{3}/_{32}$	$1^{9}/_{16}$	$2^{1}/_{32}$	$2^{7}/_{32}$	$2^{7}/_{32}$	$1^{9}/_{32}$	$1^{9}/_{32}$	$1^{9}/_{16}$
Flange thickness	[lbs] m_F	2.9	–	5.7	7.7	11.0	16.5	2.2	4.6	4.6	9.0	9.0	11.2
DN 40								NPS $1^{1}/_{2}$ "					
Flanschblattdicke	[inch] s	$1^{3}/_{16}$	–	$2^{9}/_{32}$	$1^{1}/_{4}$	–	–	$7/8$	$1^{5}/_{16}$	$1^{5}/_{16}$	$1^{1}/_{4}$	–	–
Weight slip on flange	[lbs] m_F	4.5	–	6.3	9.5	–	–	3.2	4.8	4.8	8.6	–	–



Type 462 HDD

Pressure temperature ratings

[Metric units + US units]

Metric units

Actual Orifice diameter d_0 [mm]		9		
Actual Orifice Area A_0 [mm ²]		63.6		
Body material 1.4404 (316L)		Type 4624		
Base / Inlet Body	Connection size	1/2"	3/4"	1"
	Pressure rating	PN 500		
Outlet body	Pressure rating	PN 160		
Minimum set pressure	p [bar _g] S/G/L	250.01		
Maximum set pressure	p [bar _g] S/G/L	350		
Temperature acc. to DIN EN ¹⁾	min. [°C]	-45		
	max. [°C]	+150		
Temperature acc. to ASME ¹⁾	min. [°C]	-45		
	max. [°C]	+150		

US units

Actual Orifice diameter d_0 [inch]		0.354		
Actual Orifice Area A_0 [inch ²]		0.099		
Body material 1.4404 (316L)		Type 4624		
Base / Inlet Body	Connection size	1/2"	3/4"	1"
	Pressure rating	3625		
Minimum set pressure	p [psig] S/G/L	3625		
Maximum set pressure	p [psig] S/G/L	5076		
Temperature acc. to DIN EN ¹⁾	min. [°F]	-49		
	max. [°F]	+302		
Temperature acc. to ASME ¹⁾	min. [°F]	-49		
	max. [°F]	+302		

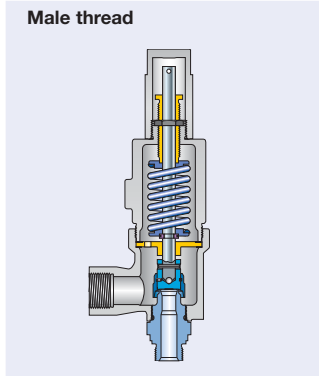
¹⁾ The temperature is limited by soft seal material. The stated values are valid for EPDM.

Type 462 HDD

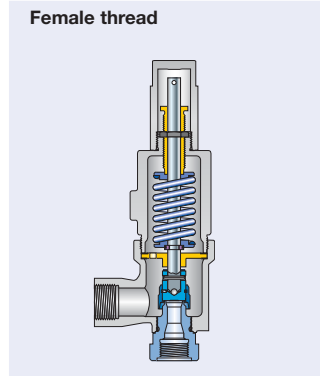
Approvals

Actual Orifice diameter d_0 [mm]		9
Actual Orifice area A_0 [mm ²]		63.6
Actual Orifice diameter d_0 [inch]		0.354
Actual Orifice area A_0 [inch ²]		0.099
Europe		Coefficient of discharge K_{dr}
	Approval No.	072021409Z0022/15/D/0135
PED / DIN EN ISO 4126-1	S/G	0.83
	L	0.61
Germany		Coefficient of discharge α_w
	Approval No.	TÜV SV 909
PED / AD 2000-Merkblatt A2	S/G	0.83
	L	0.61
United States		Coefficient of discharge K
	Approval No.	M 37112
ASME Sec. VIII Div. 1	S/G	0.811
	Approval No.	M 37101
	L	0.566
Canada		Coefficient of discharge K
	Approval No.	The current approval no. can be found at www.leser.com
CRN	S/G	0.811
	L	0.566
China		Coefficient of discharge α_w
	Approval No.	The current approval no. can be found at www.leser.com
AQSIQ	S/G	0.83
	L	0.61
Eurasian Custom Union		Coefficient of discharge α_w
	Approval No.	The current approval no. can be found at www.leser.com
EAC	S/G	0.83
	L	0.61
Classification societies		Homepage
Bureau Veritas	BV	www.bureauveritas.com
DNV GL		www.dnvgl.com
Lloyd's Register EMEA	LREMEA	www.lr.org
Registro Italiano Navale	RINA	www.rina.org
U.S. Coast Guard	U.S.C.G	www.uscg.org
		The valid certification number is changed with every renewal.
		A sample certificate including the valid certification number can be found at www.leser.com

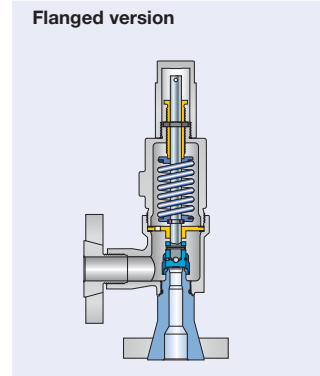
Series 459 Available Options



Type 459



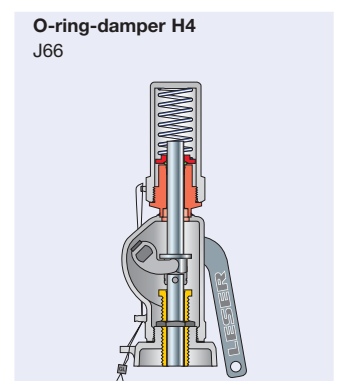
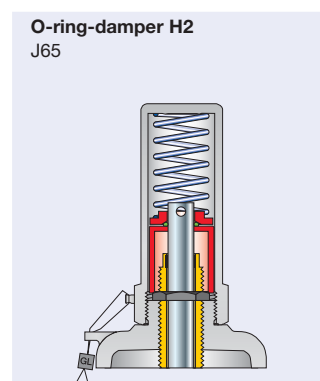
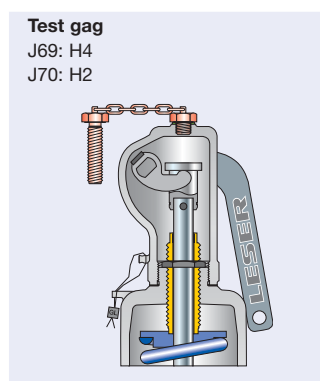
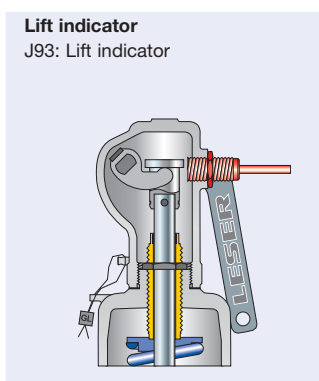
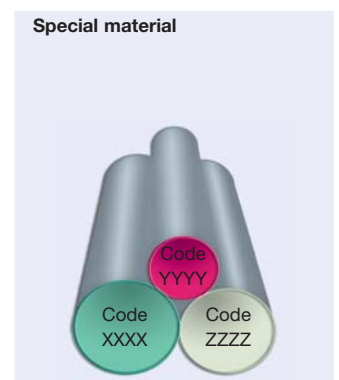
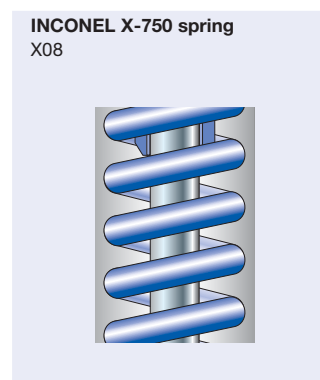
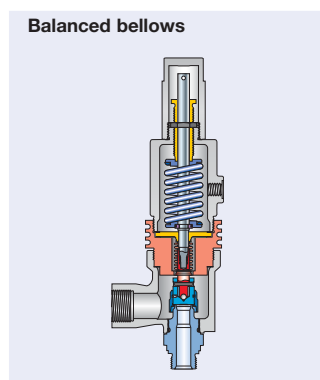
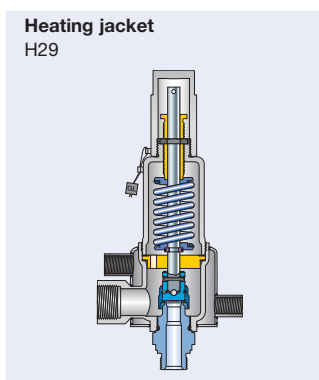
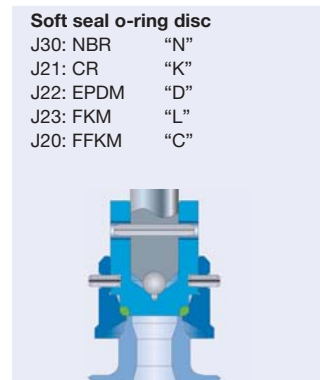
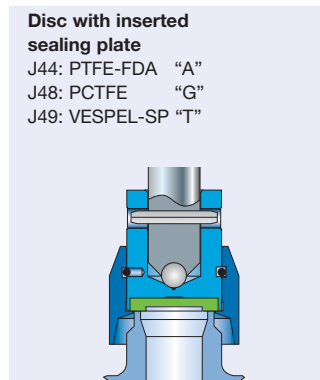
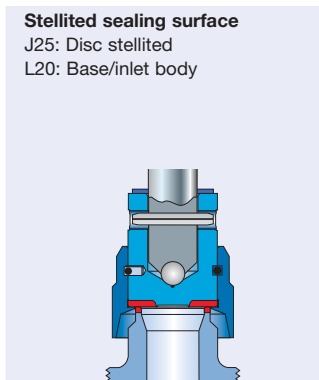
Type 459



Type 462



Type 462



Series 459

Available connections

Threaded connections

Actual Orifice diameter d_0 [mm]	6		9 / 13		17.5		
Actual Orifice area A_0 [mm ²]	28.3		63.9 / 133		241		
Actual Orifice diameter d_0 [inch]	0.236		0.345 / 0.512		0.689		
Actual Orifice area A_0 [inch ²]	0.044		0.099 / 0.206		0.374		
	Inlet	Outlet	Inlet	Outlet	Inlet	Outlet	
Male thread DIN ISO 228-1							
G	1/2"	V54 ⁵⁾	–	V54 ¹⁾	–	–	
	3/4"	V55 ⁵⁾	–	V55	–	–	
	1"	V56 ⁵⁾	–	V56	V68	V56	
	1 1/4"	–	–	–	–	V83	
	1 1/2"	–	V69	–	V69	V57	V69
Female thread DIN ISO 228-1							
G	1/2"	V50 ⁵⁾	–	V50	–	–	
	3/4"	V51 ⁵⁾	–	V51	–	V51	
	1"	–	V66	V52 ²⁾	V66	V52	
	1 1/4"	–	V81	–	V81	V84	
	1 1/2"	–	V67	–	V67	V53	V67
Male thread ISO 7-1/BS 21							
R/BSPT	1/2"	V30 ^{3) 5)}	–	V30 ⁶⁾	–	–	
	3/4"	V31 ⁵⁾	–	V31	–	–	
	1"	V32 ⁵⁾	–	V32	V42	V32	
	1 1/2"	–	V43	–	V43	V33	V43
Female thread ISO 7-1/BS 21							
Rc/BSPT	1/2"	V38 ⁵⁾	–	V38	–	–	
	3/4"	V39 ⁵⁾	–	V39	–	V39	
	1"	V40 ⁵⁾	–	V40	V36	V40	
	1 1/2"	–	V37	–	V37	V41	V37
Male thread ANSI/ASME B1.20.1							
NPT	1/2"	V61 ⁵⁾	–	V61 ⁴⁾	–	–	
	3/4"	V62 ⁵⁾	–	V62	–	–	
	1"	V63 ⁵⁾	–	V63	V73	V63	
	1 1/4"	–	–	–	–	V85	
	1 1/2"	–	V74	–	V74	V64	V74
	2"	–	–	–	–	V86	–
Female thread ANSI/ASME B1.20.1							
NPT	1/2"	V58 ⁵⁾	–	V58	–	–	
	3/4"	V59 ⁵⁾	–	V59	–	V59	
	1"	V60 ⁵⁾	V71	V60	V71	V60	
	1 1/4"	–	V80	–	V80	V87	
	1 1/2"	–	V72	–	V72	V75	V72
	2"	–	–	–	–	–	V88

Flanged and threaded connections can be combined.

Threads according to other standards are available. Please specify in writing (diameter, pressure rating, standard).

¹⁾ Only for d_0 9 mm

²⁾ d_0 9 mm: up to PN 420

³⁾ Only as special design

⁴⁾ d_0 13 mm: up to 125 bar and 455 °C

⁵⁾ max. PN 700: For higher set pressures a special inlet body is required (see LDeS 3001.19)

⁶⁾ V30 d_0 9 mm

Series 459

Available connections

Flanged connections

Nominal diameter		Pressure rating	d ₀ 6 mm		d ₀ 9 mm		d ₀ 13 mm		d ₀ 17.5 mm	
DIN EN 1092-1										
DN		PN	Option code		Option code		Option code		Option code	
			Inlet	Outlet	Inlet	Outlet	Inlet	Outlet	Inlet	Outlet
15		40	I21	–	I21	–	I21	–	–	–
		160	I22	–	I22	–	I22	–	–	–
		250	I23	–	I23	–	I23	–	–	–
		320	I24	–	I24	–	I24	–	–	–
		400	I25	–	I25	–	I25	–	–	–
20		40	I26	–	I26	–	I26	–	I26	–
		160	I27	–	I27	–	I27	–	I27	–
25		40	I31	I46	I31	I46	I31	I46	I31	–
		160	I32	I47	I32	I47	I32	I47	I32	–
		250	I33	I48 ²⁾	I33	I48 ¹⁾	I33	I48 ¹⁾	I33	–
		320	I34	–	I34	–	I34	–	I34	–
		400	I35	–	I35	–	I35	–	I35	–
40		40	–	–	–	I49	–	I49	–	I49
		160	–	–	–	I50	–	I50	–	I50
		250	–	–	–	I51 ¹⁾	–	I51 ¹⁾	–	I51 ¹⁾
ANSI/ASME B 16.5										
NPS		CL	Inlet	Outlet	Inlet	Outlet	Inlet	Outlet	Inlet	Outlet
1/2"		150	V01	–	V01	–	V01	–	–	–
		300	V02	–	V02	–	V02	–	–	–
		600	V02	–	V02	–	V02	–	–	–
		900	V03	–	V03	–	V03	–	–	–
		1500	V03	–	V03	–	V03	–	–	–
		2500	V04	–	V04	–	V04	–	–	–
3/4"		150	V05	–	V05	–	V05	–	V05	–
		300	V06	–	V06	–	V06	–	V06	–
		600	V06	–	V06	–	V06	–	V06	–
		900	V07	–	V07	–	V07	–	V07	–
		1500	V07	–	V07	–	V07	–	V07	–
		2500	V08	–	V08	–	V08	–	V08	–
1"		150	V09	–	V09	V18	V09	V18	V09	–
		300	V10	V19	V10	V19	V10	V19	V10	–
		600	V10	V19	V10	V19	V10	V19	V10	–
		900	V11	–	V11	–	V11	–	V11	–
		1500	V11	–	V11	–	V11	–	V11	–
		2500	V12	–	V12	–	V12	–	V12	–
1 1/2"		150	–	–	–	V21	–	V21	–	V21
		300	–	–	–	V22	–	V22	–	V22
		600	–	–	–	V22	–	V22	–	V22

Type 462 Refrigeration technology – Flange facings DIN EN 1092, groove face D

Nominal diameter		Center to face [mm]		d ₀ 13 mm		d ₀ 13 mm		d ₀ 17.5 mm	
DIN EN 1092-1									
DN		a	b	Option code		Option code		Option code	
Inlet	Outlet	Inlet	Outlet	Inlet	Outlet	Inlet	Outlet	Inlet	Outlet
15	20	90	80	I1C	I1J	–	–	–	–
20	20	90	80	I1D	I1J	–	–	–	–
15	25	100	100	–	–	I1A	I1H	–	–
15	25	95	95	–	–	I1F	I1L	–	–
20	25	90	80	–	–	I1D	I1K	–	–
20	25	95	95	–	–	I1G	I51	–	–
25	25	100	100	–	–	I1B	I1H	–	–
25	25	90	80	–	–	I1E	I1K	–	–
25	32	100	100	–	–	–	–	I1B	I1M

Flanged and threaded connections can be combined. Flanges according to other standards, e.g. JIS are available. Please specify in writing (diameter, pressure rating and standard).

¹⁾ Caution! Only connecting dimensions correspond to PN 250, outlet body and bonnet are designed for PN 160.

Series 459

LESER Original Spare Parts Kits Type 459

Article numbers

	d₀	9	13	17,5
Art. No.				
Type 459	5012.	1230	1231	1232

The LESER Spare Parts Kits contain all the parts recommended for the regular maintenance of a LESER safety valve



Contents – Type 459

Item	Component	Material	Quantity
7	Disc	1.4404 / 316L	1
14	Split ring	1.4404 / 316L	2
40.3	Spacer	1.4571 / 316Ti	3
57	Pin	1.4310 / Stainless steel	1
59	Securing ring (split ring)	1.4571 / 316Ti	1
60	Gasket	Graphite / 1.4401 Graphite / 316	2
61	Ball	1.4401 / 316	1
63	Gasket	Graphite / 1.4401 Graphite / 316	1

Series 459

LESER Original Spare Parts Kits Type 462, 462 HDD

Article numbers

	d ₀	9	13	17,5
Art. No.				
Type 462	5012.	1233	1234	1235
Type 462 HDD	5012.	1233	-	-

The LESER Spare Parts Kits contain all the parts recommended for the regular maintenance of a LESER safety valve

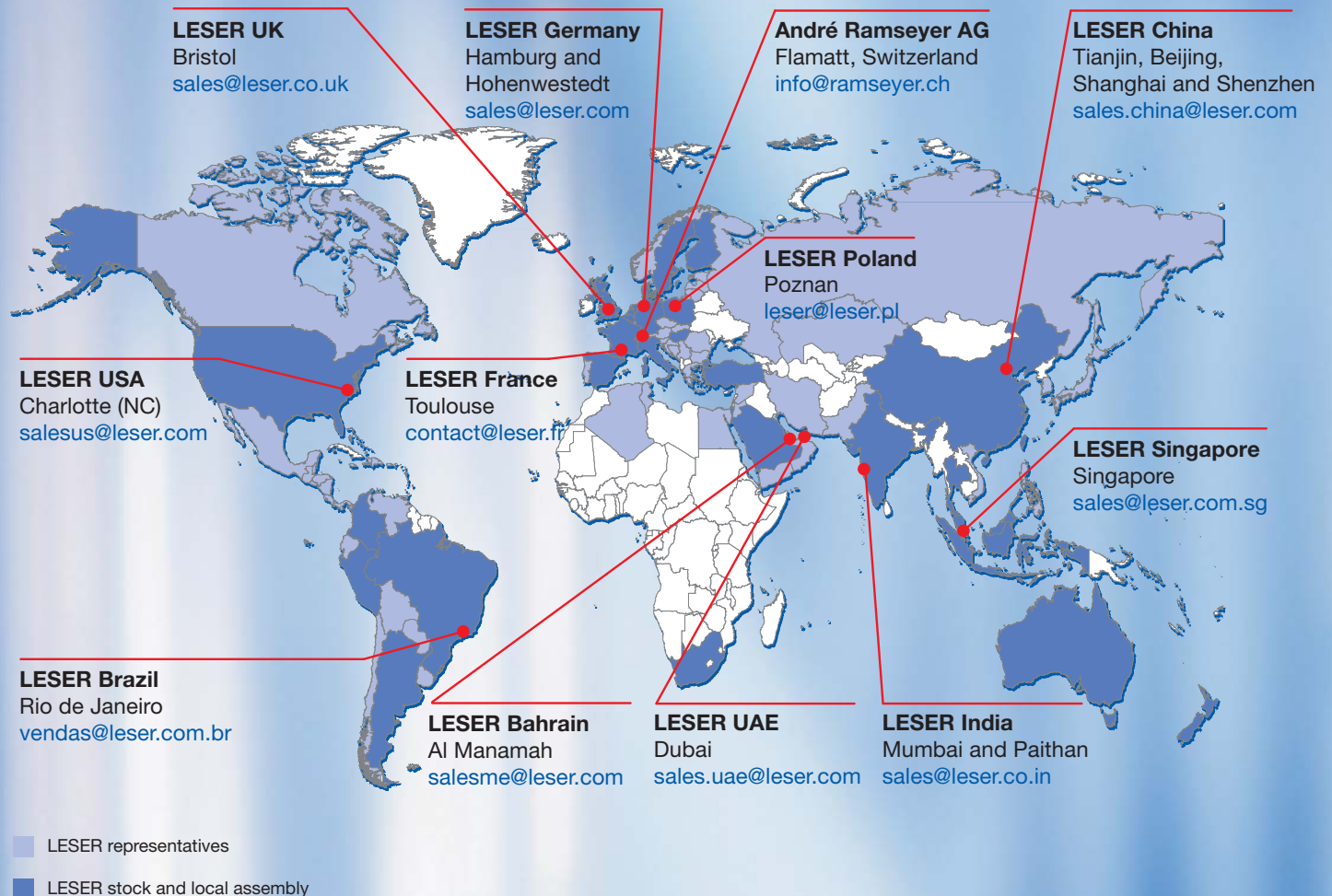


Contents – Type 462, 462 HDD

Item	Component	Material	Quantity
7.1	O-ring disc body	1.4404 / 316L	1
7.2	Lifting aid	1.4404 / 316L	1
7.4	O-ring	FKM 70/75 Shore A, FKM 90 Shore A EPDM 70 Shore A, EPDM 90 Shore A	4
7.5	Pin	1.4310 / Stainless steel	1
14	Split ring	1.4404 / 316L	2
40.3	Spacer	1.4571 / 316Ti	3
57	Pin	1.4310 / Stainless steel	1
59	Securing ring (split ring)	1.4571 / 316Ti	1
60	Gasket	Graphite / 1.4401 Graphite / 316	2
61	Ball	1.4401 / 316	1
63	Gasket	Graphite / 1.4401 Graphite / 316	1

The Compact Performance Type 462 Original Spare Parts Kit is equipped with four O-rings (Item 7.4) in the two most commonly used materials – FKM and EPDM – with different shore hardness. The correct O-ring should be selected depending on the set pressure.

LESER worldwide



Compact Performance Catalog
Edition August 2016
0777.5681

LESER

The-Safety-Valve.com

LESER GmbH & Co. KG

20537 Hamburg, Wendenstr. 133-135
20506 Hamburg, P.O. Box 26 16 51

Fon +49 (40) 251 65-100
Fax +49 (40) 251 65-500

E-Mail: sales@leser.com
www.leser.com